

**RRFQ2-XXX**

## FSK Superhet Receiver with Crystal Oscillator

**General description**

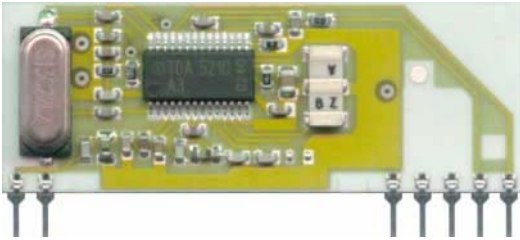
The RRFQ2-XXX is a FSK superhet data receiver with PLL synthesizer and crystal oscillator.

Receiver Frequency: 315, 433.9, 868.35 MHz

IF Frequency: 10.7MHz

Typical sensitivity: -103 dBm

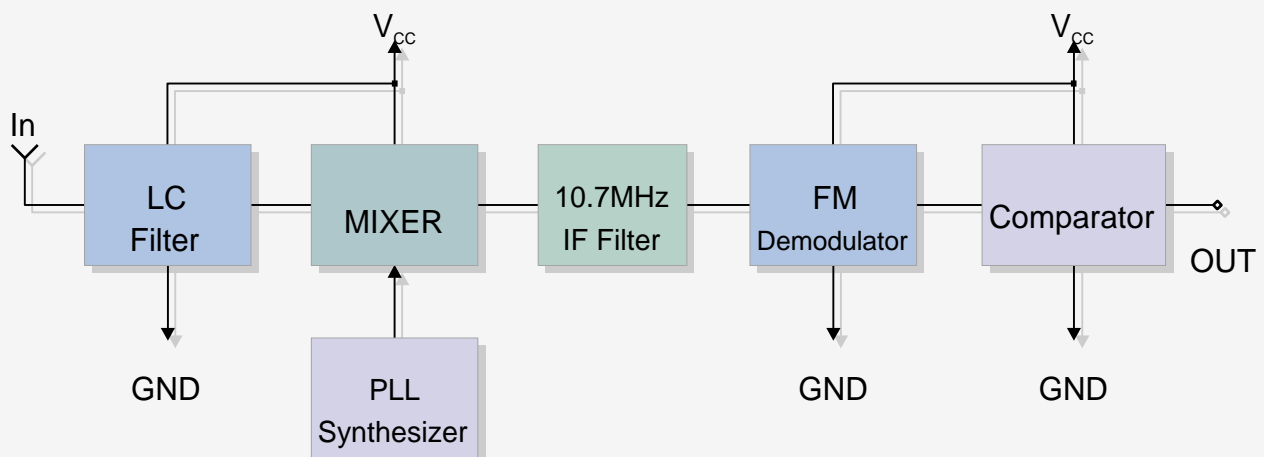
Supply current: 5.7 mA (typ)



**XXX:** custom-specified working frequency  
(315, 433.92, 868.35 MHz)

**Applications**

- Wireless security systems
- Car Alarm systems
- Remote gate controls
- Sensor reporting

**BLOCK DIAGRAM**

## Electrical Characteristics

Ta = 25°C unless otherwise specified

CHARACTERISTICS		MIN	TYP	MAX	UNIT
V <sub>CC</sub>	Supply Voltage	4.5	5	5.5	VDC
I <sub>S</sub>	Supply Current		5.7	6.8	mA
F <sub>R</sub>	Receiver Frequency		315/433.9/868.35		MHz
	RF Sensitivity		-103 / -103 / -100		dBm
	Frequency Deviation		30		KHz
B <sub>w</sub>	-3dB Bandwidth		±150		KHz
	Data Rate	0.3		4.8	Kbit/s
	Level of Emitted Spectrum			-70	dBm
	Turn on Time (PowerUp → Stable Data)		8		msec
V <sub>ol</sub>	Low-Level Output Voltage (I=10uA)				V
V <sub>oh</sub>	High-Level Output Voltage (I=-200uA)	V <sub>CC</sub> - 1			V
T <sub>OP</sub>	Operating Temperature Range	-25		+80	°C

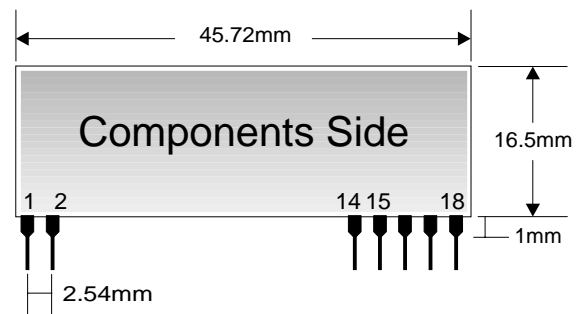
## Pin Description

## RSSI Value

## Mechanical Dimensions

1	RF IN
2	GND
14	RSSI
15	GND
16	V <sub>CC</sub>
17	AF
18	OUT

RF IN (dBm)	RSSI (V)
-120	1.20
-110	1.32
-100	1.50
-90	1.78
-80	2.06
-70	2.35
-60	2.62
-50	2.72
-40	2.75



## TYPICAL APPLICATION

