

RR16-XXX

Super Regenerative Radio Receiver with Front End SAW Filter - Optional Metal Shield

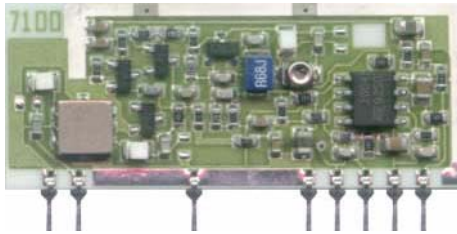
General description

The RR16-XXX is a super regenerative data receiver with a front end SAW filter to reduce RF Bandwidth.

EMI immunity improved by a metal shield (**RR16-XXX-S** model)

Sensitivity typically exceeds -100dBm ($2.2\mu\text{Vrms}$) when matched to 50 ohm.

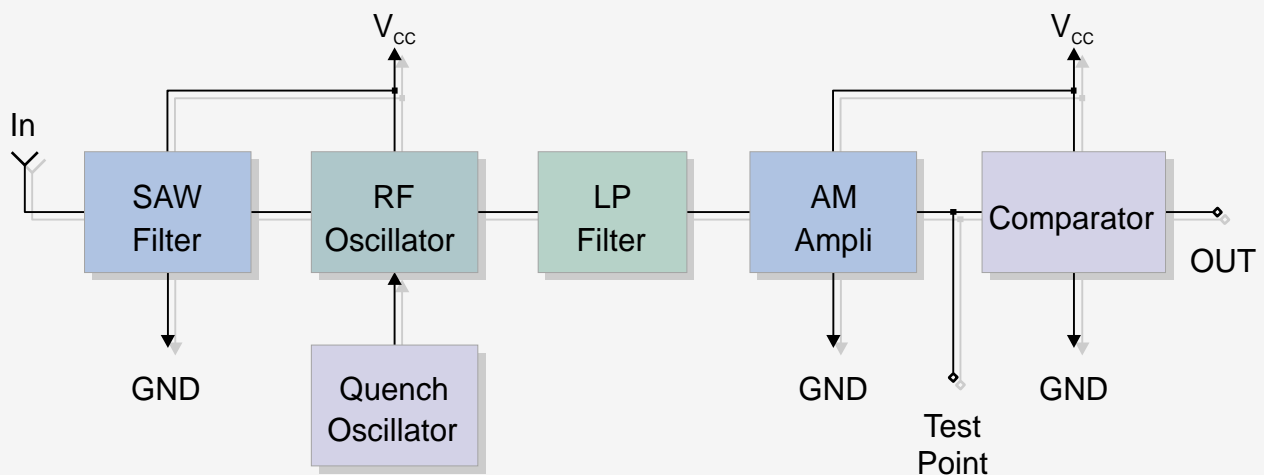
Narrow Bandwidth: $\pm 250\text{ KHz}$



XXX: custom-specified working frequency

Applications

- Home security systems
- Car Alarm systems
- Remote gate controls
- Sensor reporting

BLOCK DIAGRAM

Electrical Characteristics

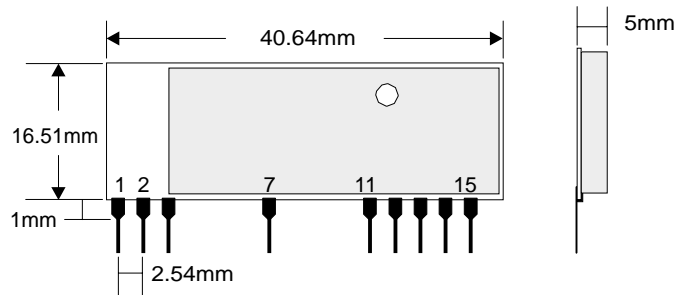
Ta = 25°C unless otherwise specified

CHARACTERISTICS		MIN	TYP	MAX	UNIT
V _{CC}	Supply Voltage	4.5	5	5.5	VDC
I _S	Supply Current		4.0		mA
F _W	Working Frequency		433.9		MHz
	Tuning Tolerance			+/-75	KHz
B _W	-3dB Bandwidth		+/-250	+/-300	KHz
	Data Rate		4.8	9.6	Kbit/s
	RF Sensitivity (100% AM)	-98	-102		dBm
	Level of Emitted Spectrum		-75	-70	dBm
V _{ol}	Low-Level Output Voltage			0.6	V
V _{oh}	High-Level Output Voltage	3.6			V
T _{OP}	Operating Temperature Range	-25		+80	°C

Pin Description

1	NC	12	+V _{CC}
2	GND	13	Test Point
3	IN	14	OUT
7	GND	15	+V _{CC}
11	GND		

Mechanical Dimensions



TYPICAL APPLICATION

