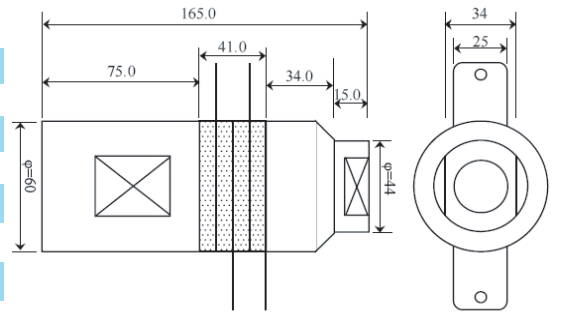


Piezoceramic transducers is a piezoceramic disc for humidifier, beauty, cleaner and fish finder...etc. Welcome for customer design.



JLB-6015

Diameter of Radiating Surface(mm)	60
Diameter of Ceramic Element (mm)	60
Resonant Frequency, $f_0$ (kHz)	14.7±0.3
Impedance Resonant, IR(MΩ)	1X10 <sup>4</sup>
Static Capacitance, C(pF)	10000±20%
Maximum Allowable Power, P(W)	1500
Connection Tap	M20P1.5
Application	Welding



\* Design Service available for other frequency (14-60KHz) and power ratings.

\* Transducers for ultrasonic welding, drilling and de-scaling also available.