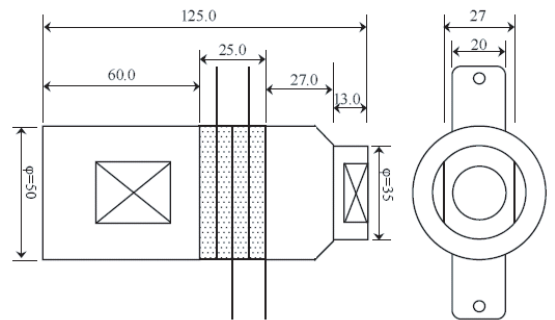


Piezoceramic transducers is a piezoceramic disc for humidifier, beauty, cleaner and fish finder...etc. Welcome for customer design.



JLB-5020

Diameter of Radiating Surface(mm)	50
Diameter of Ceramic Element (mm)	50
Resonant Frequency, f_0 (kHz)	19.6±0.5
Impedance Resonant, IR(MΩ)	1X10 ⁴
Static Capacitance, C(pF)	11000±20%
Maximum Allowable Power, P(W)	800
Connection Tap	M20P1.0
Application	Welding



* Design Service available for other frequency (14-60KHz) and power ratings.

* Transducers for ultrasonic welding, drilling and de-scaling also available.