

駿融企業有限公司 JIN ZON ENTERPRISE CO., LTD.
 104 台北市長安東路二段 171 號 4 樓之 3
 4F-3, No. 171, Sec. 2, Chang An E. Rd., Taipei, Taiwan, R. O. C.
 TEL: 886-2-27111093~5 FAX: 886-2-27310902
 E-mail: jinzon@ms2.hinet.net [Http://www.jinzon.com.tw/](http://www.jinzon.com.tw/)

Photo:



The specifications describe the ultrasonic transducer

PARTS NUNBER	J40CA-25E
Center frequency (KHz)	40.0±1.0
Sound pressure level (dB)	113(min)
Sensitivity (dB)	-72(min)
Angle of major lobe	50°
Directivity deg (-6dB)	30°
Ring time (ms)**	≤ 1.1
Max driving voltage (V)	30
Working temperature (°C)	-30~80
Case/ color	Aluminum/black

.Sound Pressure Level:0 dB v.s. 0.0002μ bar measured at 10Vrms,30cm distance.

.Sensitivity: 0 dB v.s. 1V/μ bar

**Ring time was test with input 120V, 40KHz,0.8msec square wave.

OUTLINE DIMENSION:

A=25.0±0.5

B=12.0±0.5

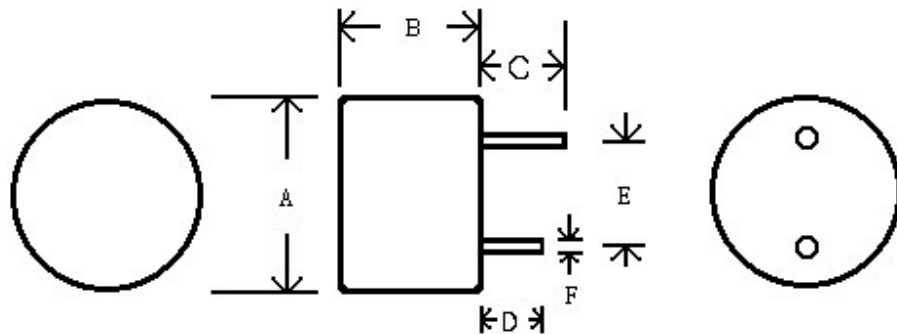
C=8.0±1.0

D=6.0±1.0

E=10.0±1.0

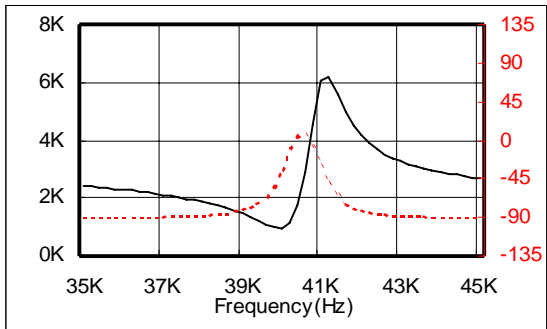
F=1.0±0.1

Unit: mm

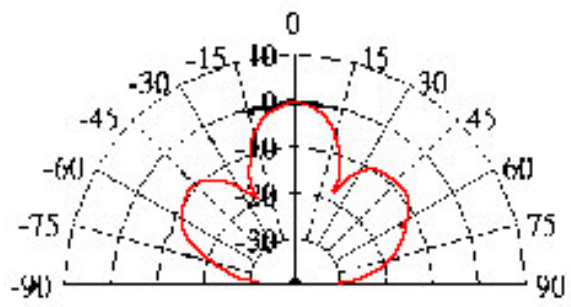


long pin for floating (+)

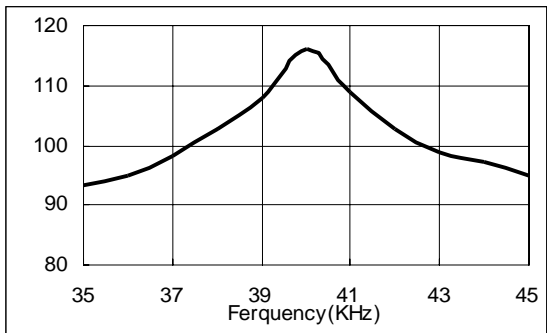
Impedance /Phase Angle VS Frequency



Directivity



Sound Pressure Level VS Frequency



Sensitivity VS Frequency

