

RT4-XXX-Boost

13mW Radio Transmitter Module with SAW Resonator and External Antenna

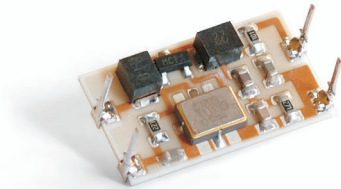
General description

The RT4-XXX is an hybrid circuit that allows to realize a complete radio transmitter adding a coding circuit.

Output Power: 13 mW@Vcc=12V

It shows stable electric characteristics thanks to the "Thick film hybrid" technology.

XXX : working frequency (433.92 MHz)



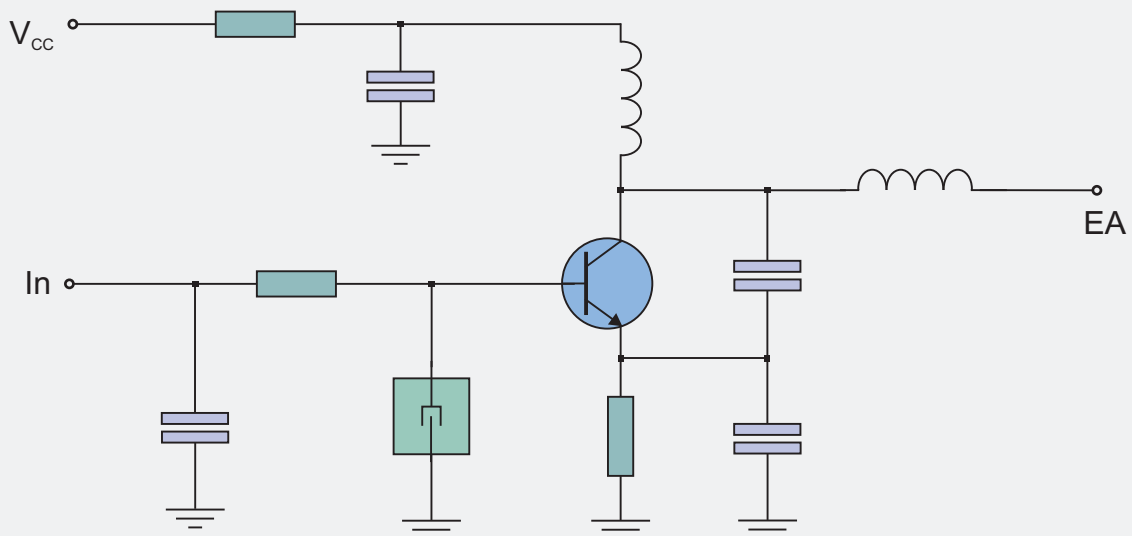
Features

- High Reliability
- DIL Package

Applications

- Wireless security systems
- Car Alarm systems
- Remote gate controls
- Sensor reporting

CIRCUIT SCHEMATIC



Electrical Characteristics

Ta = 25°C unless otherwise specified

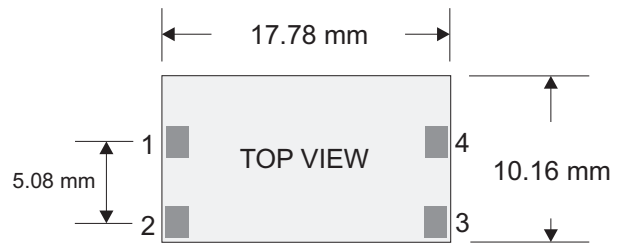
CHARACTERISTICS		MIN	TYP	MAX	UNIT
V _{CC}	Supply Voltage	2		14	VDC
I _S	Supply Current (V _{CC} =5V IN=1KHz Square Wave)		7		mA
F _W	Working Frequency		433.92		MHz
P _O	RF Output Power into 50Ω (Vi=5V, V _{CC} =12V)	9.5	11		dBm
	Harmonic Spurious Emission		-45		dBc
V _{IH}	Input High Voltage	2		V _{CC}	V
	Max Data Rate			9.6	Kbit/s
T _{OP}	Operating Temperature Range	-25		+80	°C

Typically, equipment utilizing this device requires emissions testing and government approval, which is the responsibility of the equipment manufacturer.

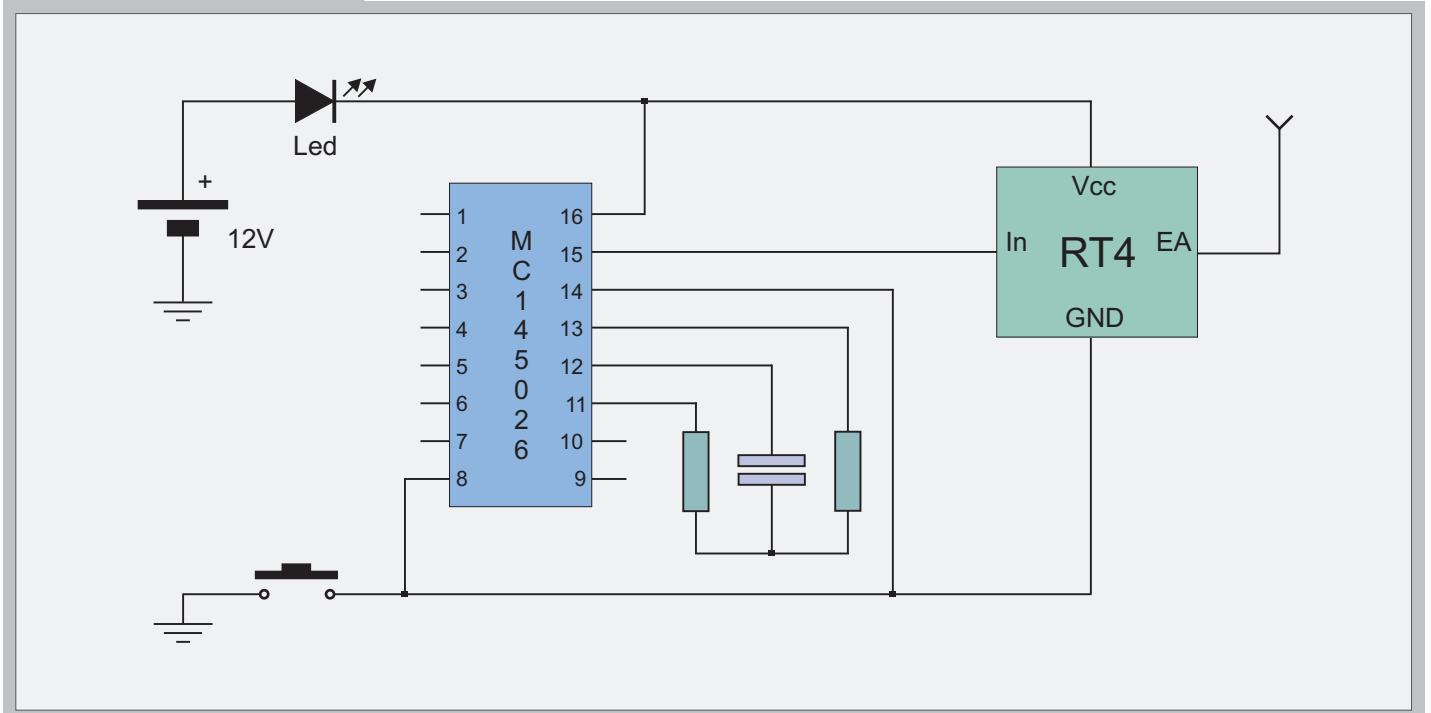
Pin Description

1	V _{CC}	Supply Voltage
2	GND	Ground
3	IN	Modulation Input
4	EA	External Antenna

Mechanical Dimensions



TYPICAL APPLICATION



Telecontrolli Srl has an on going policy to improve the performance and reliability of their products; we therefore reserve the right to make changes without notice. The information contained in our data sheets is believed to be accurate, however we do not assume any liability arising from the application or use of any product or circuit.



Web Site: www.telecontrolli.com

HEAD OFFICE & PLANT

Via Nazionale delle Puglie, 177
80026 CASORIA (NA), Italy
Tel: +39 081 7599033
Fax: +39 081 7596494

SALES OFFICE

sales @ telecontrolli.com