

## RTQ10-XXX

10mW ASK Radio Transmitter Module with  
 Crystal Oscillator and External Antenna

### General description

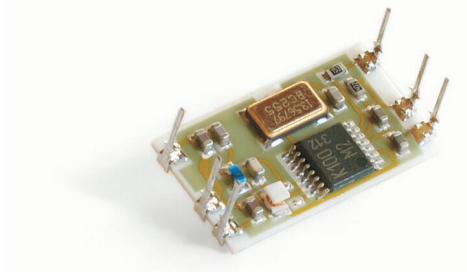
The RTQ10-XXX is an hybrid circuit that allows to realize a complete ASK radio transmitter adding a coding circuit.

Output Power: 10mW @ 3.3V

High Data rate: up to 40Kbps

It shows stable electric characteristics thanks to the "Thick film hybrid" technology.

XXX : working frequency (315, 433.92, 868.35 MHz)



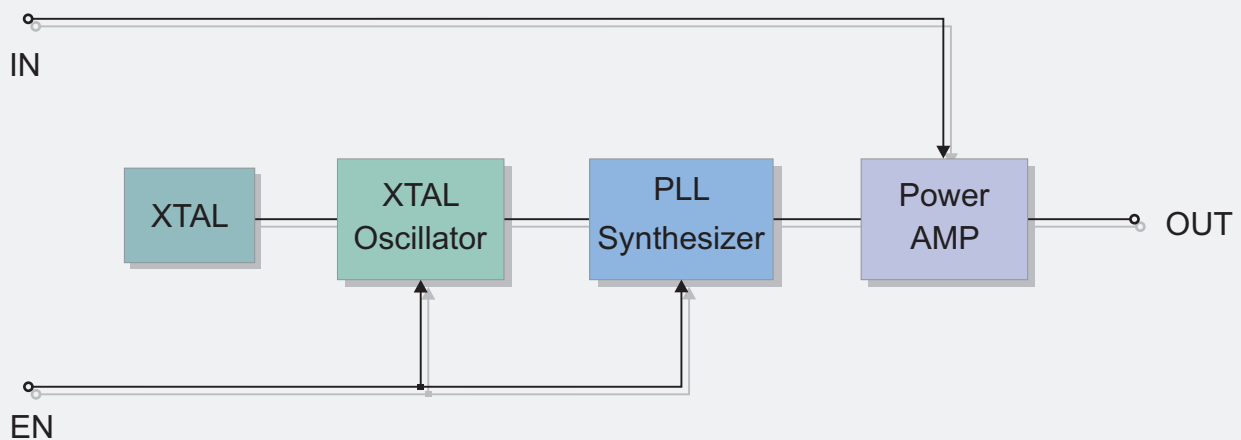
### Features

- High Reliability
- DIL Package

### Applications

- Wireless security systems
- Car Alarm systems
- Remote gate controls
- Sensor reporting

### BLOCK DIAGRAM



## Electrical Characteristics

Ta = 25°C unless otherwise specified

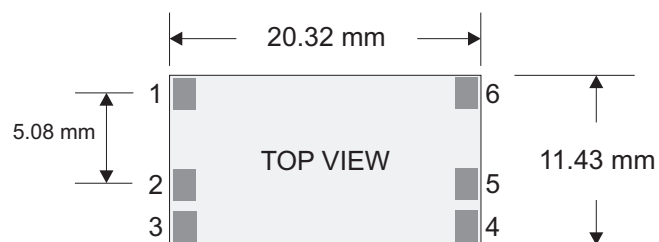
CHARACTERISTICS		MIN	TYP	MAX	UNIT
V <sub>CC</sub>	Supply Voltage	2.4	3.3	4	VDC
I <sub>S</sub>	Operating Supply Current		14.5	16.5	mA
I <sub>STANDBY</sub>	Standby Supply Current (IN = EN = Low)			100	nA
F <sub>W</sub>	Working Frequency		315/433.9/868.35		MHz
P <sub>O</sub>	RF Output Power into 50Ω (V <sub>CC</sub> = 3.3V)	8	10		dBm
	Initial Frequency Accuracy		+/- 35		KHz
	Harmonic Spurious Emission		-50		dBc
V <sub>IH</sub>	Input High Voltage	1.5		V <sub>CC</sub>	V
	Max Data Rate			40	Kbit/s
	Power-Up Time (EN → full RF)			1	msec
T <sub>OP</sub>	Operating Temperature Range	-25		+80	°C

EN	IN	STATE
L	L	Power Down Mode
H	H / L	Transmit Mode

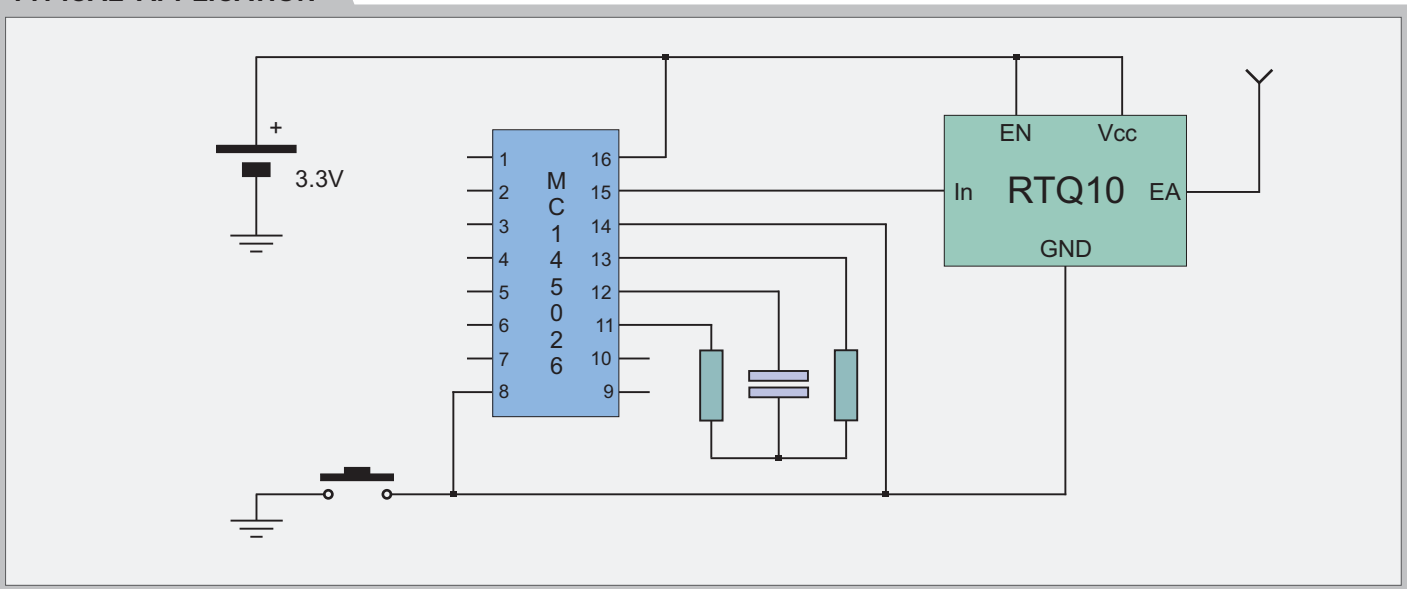
### Pin Description

1	EN	Enable	4	V <sub>CC</sub>	Supply Voltage
2	IN	Data In	5	GND	Ground
3	GND	Ground	6	EA	External Antenna

### Mechanical Dimensions



### TYPICAL APPLICATION



Telecontrolli Srl has an on going policy to improve the performance and reliability of their products; we therefore reserve the right to make changes without notice. The information contained in our data sheets is believed to be accurate, however we do not assume any liability arising from the application or use of any product or circuit.



Web Site: [www.telecontrolli.com](http://www.telecontrolli.com)

#### HEAD OFFICE & PLANT

Via Nazionale delle Puglie, 177  
80026 CASORIA (NA), Italy  
Tel: +39 081 7599033  
Fax: +39 081 7596494

#### SALES OFFICE

sales @ telecontrolli.com