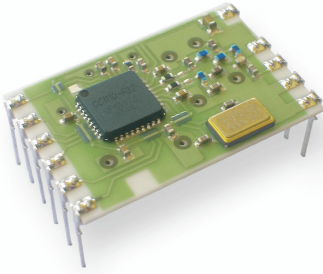


RXQ3-XXX

Sub 1GHz Smart Radio Modem



General description

The RXQ3-XXX is a low-cost sub 1GHz radio modem with embedded microcontroller and dedicated firmware for transmission of serial data, based on the CC1110 (Texas Instruments).

By using a UART interface for Transmitting and Receiving data and for issuing configuration command (AT Commands), it is possible for the user to develop systems quickly.

Also available version without firmware (**RXQ3-XXX-H** model)

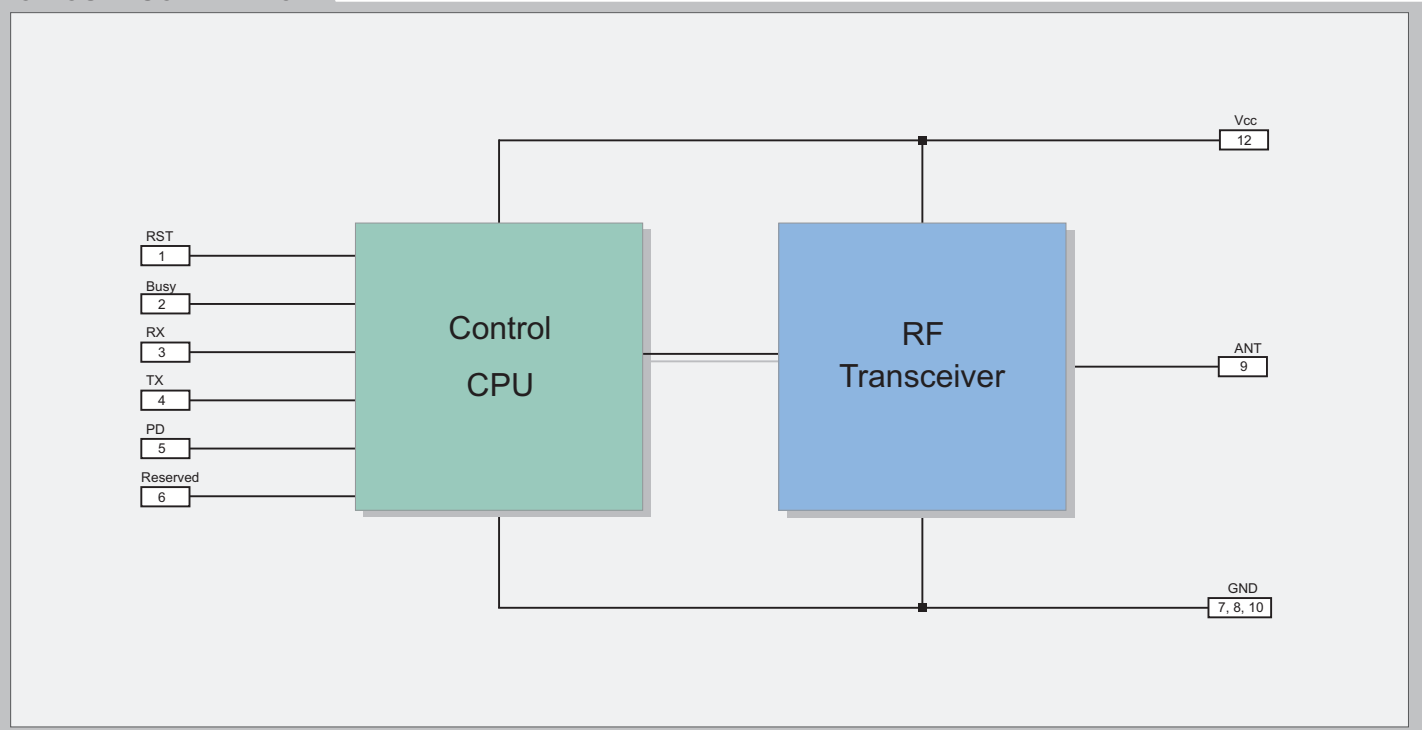
Features

- High Reliability
- DIL Package

Applications

- Wireless alarm and security systems
- Home and building automation
- AMR - Automatic Meter Reading
- Wireless Sensor networks
- Industrial monitoring and control

CIRCUIT SCHEMATIC



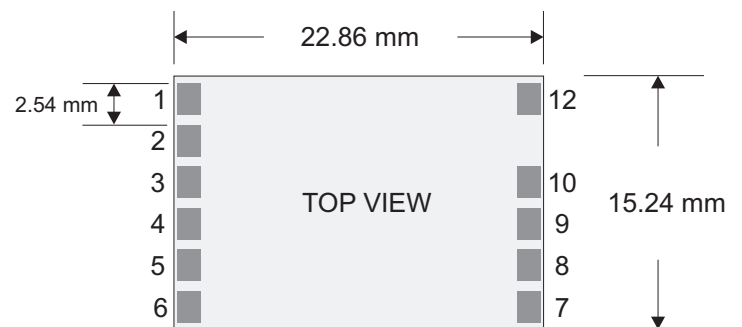
Electrical Characteristics

CHARACTERISTICS		MIN	TYP	MAX	UNIT
V _{CC}	Supply Voltage	2.0	3	3.6	VDC
I _s	Supply Current (RX mode / TX mode)		20 / 33		mA
I _s	Supply Current (Power Down mode)		0.3		uA
P _o	RF Output Power into 50Ω		10		dBm
	RF Sensitivity (1.2 Kb/sec Data Rate)		-110		dBm
	Data Rate	1.2		500	Kbit/s
	Wake-Up Time (PD to Actice Mode)		100		usec
T _{OP}	Operating Temperature Range	-25		+80	°C

Pin Description

1	RST	Reset
2	Busy	Busy
3	RX	UART Data Input
4	TX	UART Data Output
5	PD	Power Down
6	Reserved	
7	GND	Ground
8	GND	Ground
9	ANT	Antenna
10	GND	Ground
12	V _{CC}	Supply Voltage

Mechanical Dimensions



Telecontrolli Srl has an on going policy to improve the performance and reliability of their products; we therefore reserve the right to make changes without notice. The information contained in our data sheets is believed to be accurate, however we do not assume any liability arising from the application or use of any product or circuit.



Web Site: www.telecontrolli.com

HEAD OFFICE & PLANT

Via Nazionale delle Puglie, 177
80026 CASORIA (NA), Italy
Tel: +39 081 7599033
Fax: +39 081 7596494

SALES OFFICE

sales @ telecontrolli.com