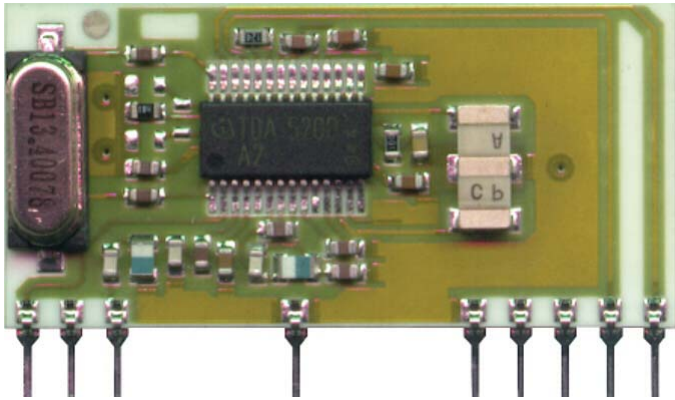


RRFQ1-XXX

FSK Superhet Receiver with Crystal Oscillator



General description

The RRFQ1-XXX is a FSK superhet data receiver with PLL synthesizer and crystal oscillator.

Receiver Frequency: 315, 433.9, 868.35 MHz

IF Frequency: 10.7MHz

Typical sensitivity: -102 dBm

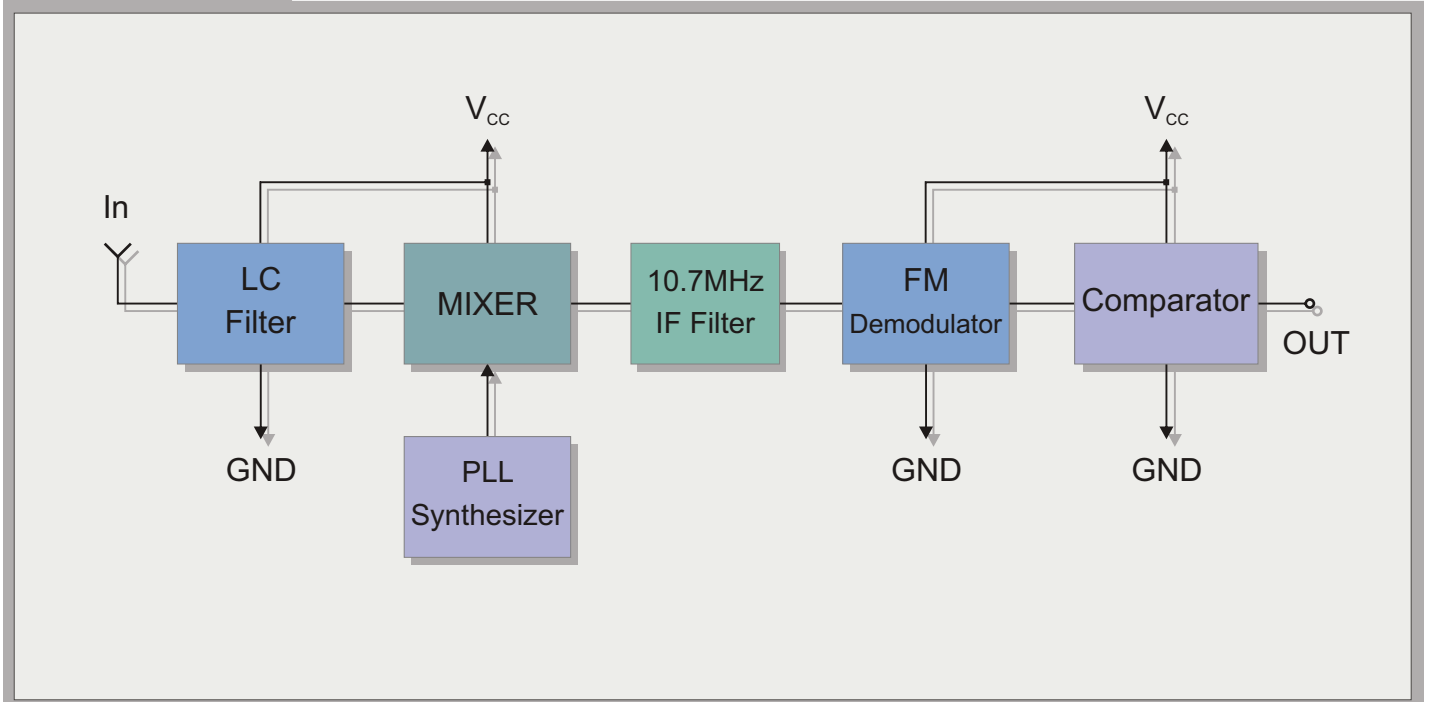
Supply current: 5.7 mA(typ)

Applications

- Wireless security systems
- Car Alarm systems
- Remote gate controls
- Sensor reporting

XXX: custom-specified working frequency
(315, 433.92, 434.42, 868.3, 915, 920 MHz)

BLOCK DIAGRAM



Electrical Characteristics

Ta = 25°C unless otherwise specified

CHARACTERISTICS		MIN	TYP	MAX	UNIT
V _{CC}	Supply Voltage	4.5	5	5.5	VDC
I _S	Supply Current		5.7	6.8	mA
I _{STANDBY}	Standby Supply Current (PD = Low)			100	nA
F _R	Receiver Frequency		315/433.9/868.35		MHz
	RF Sensitivity		-102 / -102 / -100		dBm
B _w	-3dB Bandwidth		±150		KHz
	Data Rate	0.3		4.8	Kbit/s
	Level of Emitted Spectrum			-70	dBm
	Turn on Time (PD → Stable Data)			5	msec
V _{ol}	Low-Level Output Voltage (I=10uA)			0.8	V
V _{oh}	High-Level Output Voltage (I=-200uA)	V _{CC} - 1			V
T _{OP}	Operating Temperature Range	-25		+80	°C

Pin Description

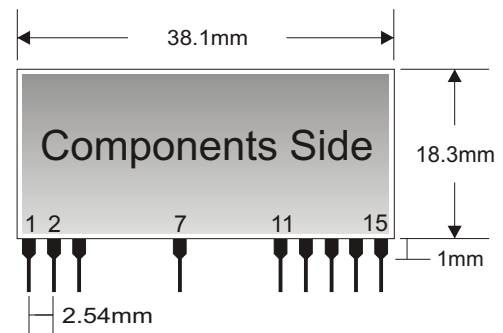
- 1 V_{CC}
- 2 GND
- 3 IN
- 7 GND
- 11 GND
- 12 NC
- 13 RSSI
- 14 OUT
- 15 PD (Power Down)

PD = 0V ---> RX OFF PD = 5V ---> RX ON

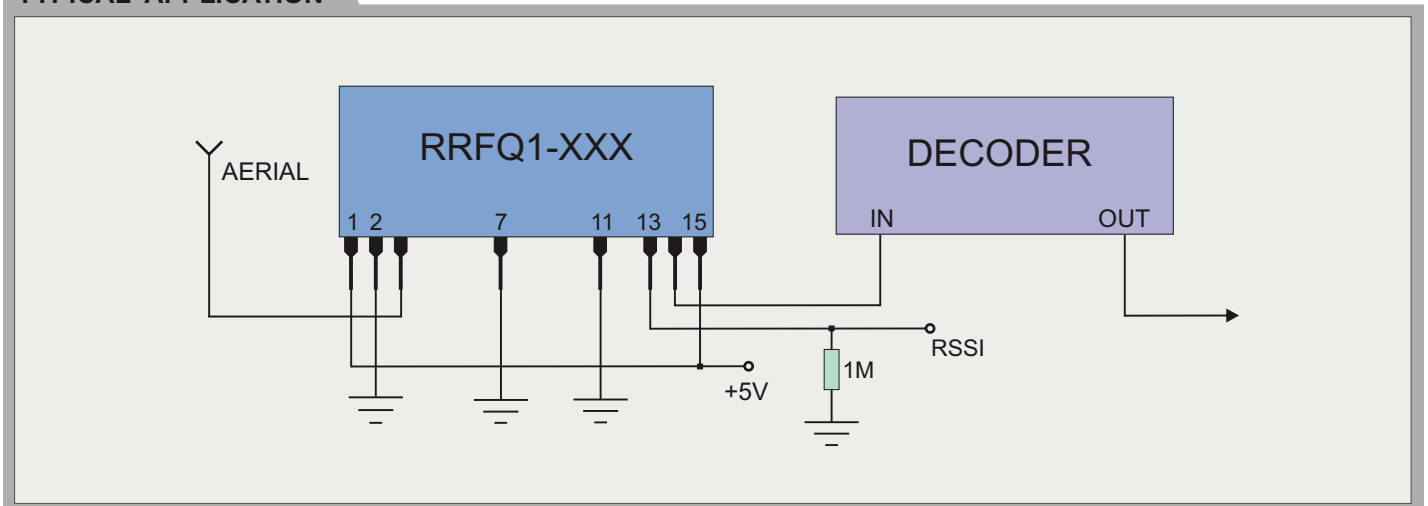
RSSI Value

RF IN (dBm)	RSSI (V)
-120	1.20
-110	1.32
-100	1.50
-90	1.78
-80	2.06
-70	2.35
-60	2.62
-50	2.72
-40	2.75

Mechanical Dimensions



TYPICAL APPLICATION



Telecontrolli Srl has an on going policy to improve the performance and reliability of their products; we therefore reserve the right to make changes without notice. The information contained in our data sheets is believed to be accurate, however we do not assume any liability arising from the application or use of any product or circuit.



Web Site: www.telecontrolli.com

HEAD OFFICE & PLANT

Via Nazionale delle Puglie, 177
80026 CASORIA (NA), Italy
Tel: +39 081 7599033
Fax: +39 081 7596494

SALES OFFICE

sales @ telecontrolli.com