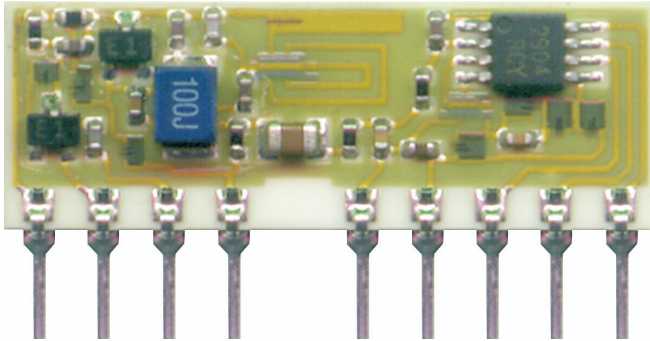


RR30-XXX

Super Regenerative Radio Receiver With Laser Trimmed Inductor



General description

Very small super regenerative data receiver: dimensions are 50% smaller than RR3 model.

Designed for application with space constrains.

Sensitivity typically exceeds -100dBm (2.2uVrms) when matched to 50 ohm.

It shows high frequency stability also in presence of mechanical vibrations, manual handling and in a wide range of temperature.

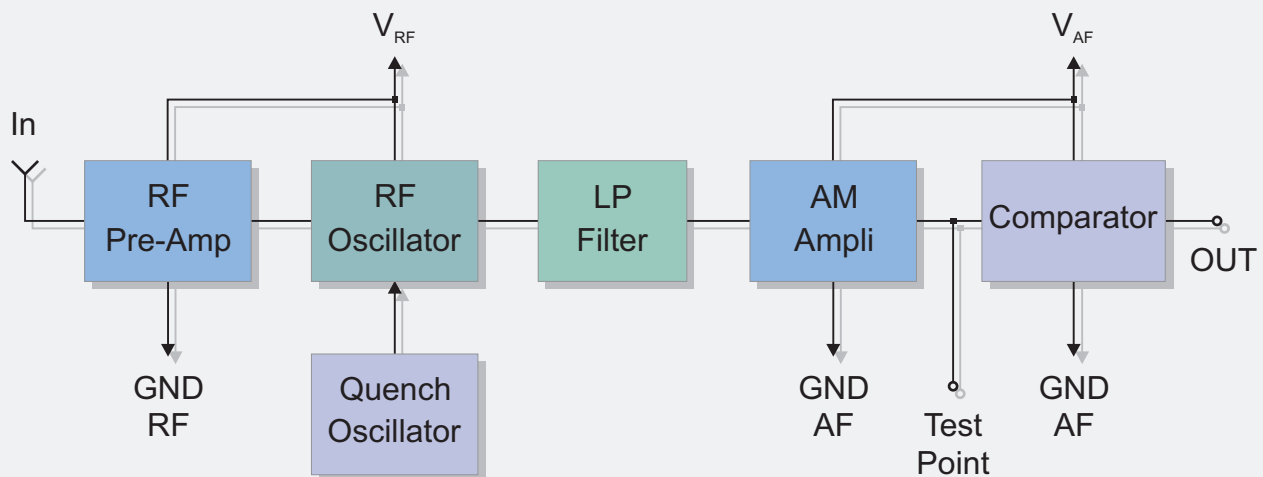
The frequency accuracy is very high thanks to laser trimming process. PATENTED.

XXX: custom-specified working frequency
 (300 ÷ 450 MHz)

Applications

- Home security systems
- Car Alarm systems
- Remote gate controls
- Sensor reporting

BLOCK DIAGRAM



Electrical Characteristics

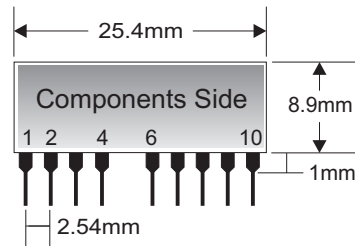
Ta = 25°C unless otherwise specified

CHARACTERISTICS		MIN	TYP	MAX	UNIT
V _{RF}	RF Supply Voltage	4.5	5	5.5	VDC
V _{AF}	AF Supply Voltage	4.5	5	5.5	VDC
I _S	Supply Current		2.5	3	mA
F _W	Working Frequency	300		450	MHz
	Tuning Tolerance		±0.2	±0.5	MHz
B _W	-3dB Bandwidth		±2	±3	MHz
	Max Data Rate			4.8	Kbit/s
	RF Sensitivity (100% AM)	-100	-105		dBm
	Level of Emitted Spectrum		-65	-60	dBm
V _{ol}	Low-Level Output Voltage			0.6	V
V _{oh}	High-Level Output Voltage	3.6			V
T _{OP}	Operating Temperature Range	-25		+80	°C

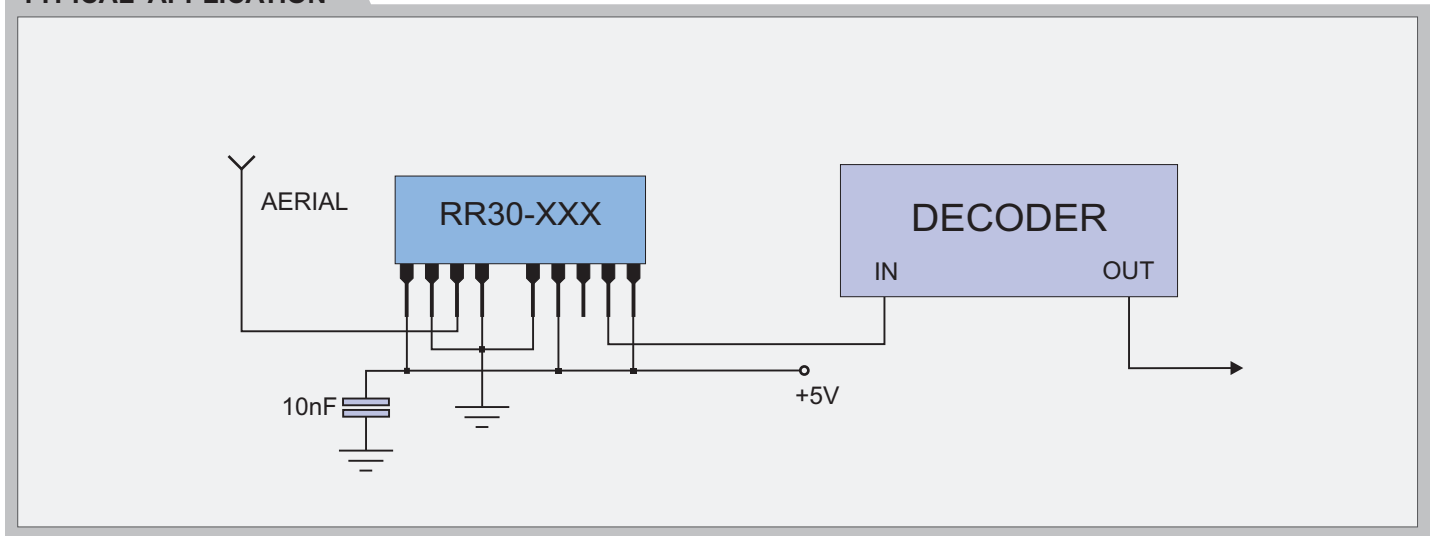
Pin Description

1	RF +V _{CC}
2	RF GND
3	IN
4	RF GND
6	AF GND
7	AF +V _{CC}
8	Test Point
9	OUT
10	AF +V _{CC}

Mechanical Dimensions



TYPICAL APPLICATION



Telecontrolli Srl has an on going policy to improve the performance and reliability of their products; we therefore reserve the right to make changes without notice. The information contained in our data sheets is believed to be accurate, however we do not assume any liability arising from the application or use of any product or circuit.



Web Site: www.telecontrolli.com

HEAD OFFICE & PLANT

Via Nazionale delle Puglie, 177
80026 CASORIA (NA), Italy
Tel: +39 081 7599033
Fax: +39 081 7596494

SALES OFFICE

sales @ telecontrolli.com