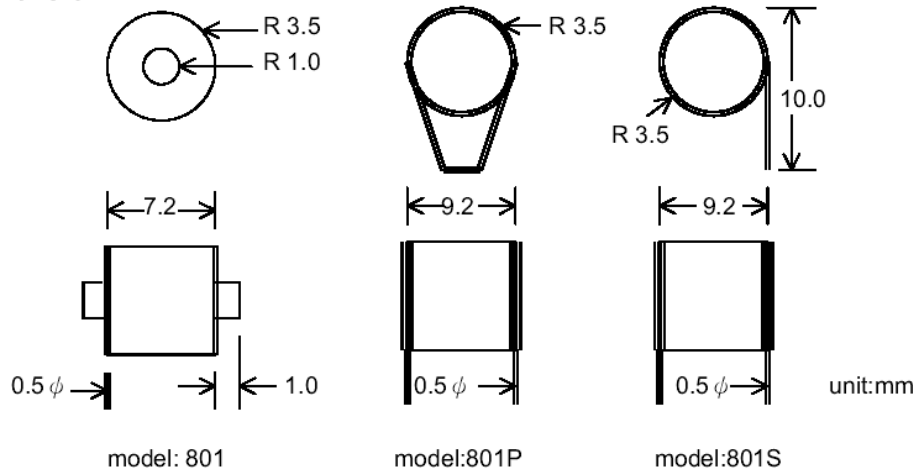


## Shock sensor VS-801x specification

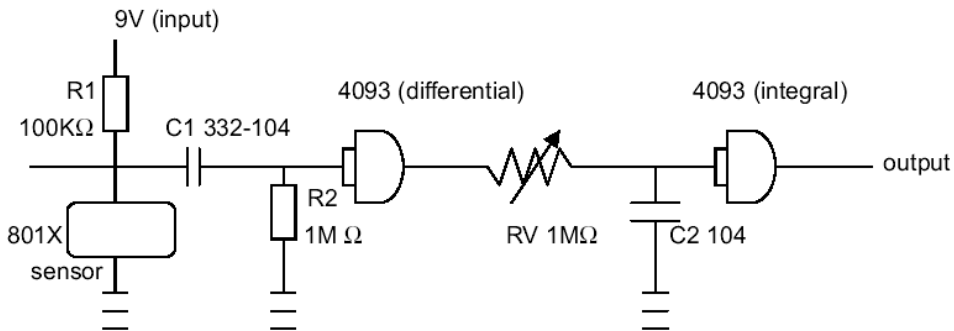
- **Features:**

- Micro Shock detecting.
- Non direction limited.
- 60,000,000 times shock guarantee (special gold alloy plated)
- Low cost circuit can adjust Sensitivity.

- **Dimension:**



- **Reference circuit:**



- **Attention:**

1. Output must become **square wave**. (Can not use as shock switch!)
2. Take low or high of output square wave into your alarm system and adjust sensitivity from the delay time length.

JIN ZON ENTERPRISE CO., LTD.

TEL.886-2-27111093 FAX.886-2-27310902

E-mail: [jinzon@ms2.hinet.net](mailto:jinzon@ms2.hinet.net)

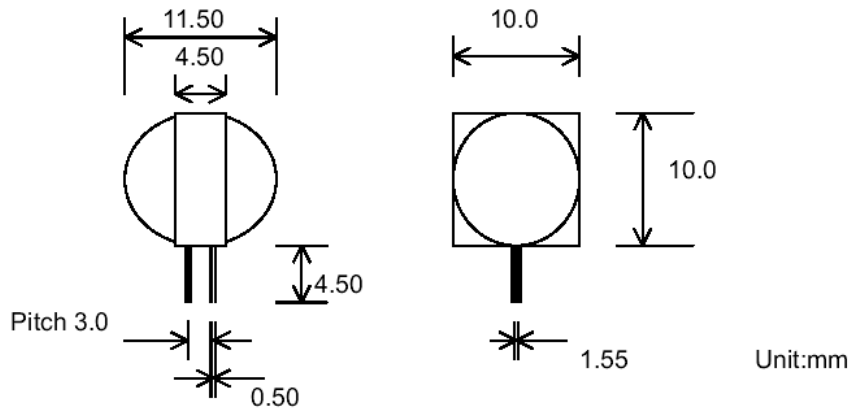
<http://www.jinzon.com.tw>

## Shock sensor VS-102 specification

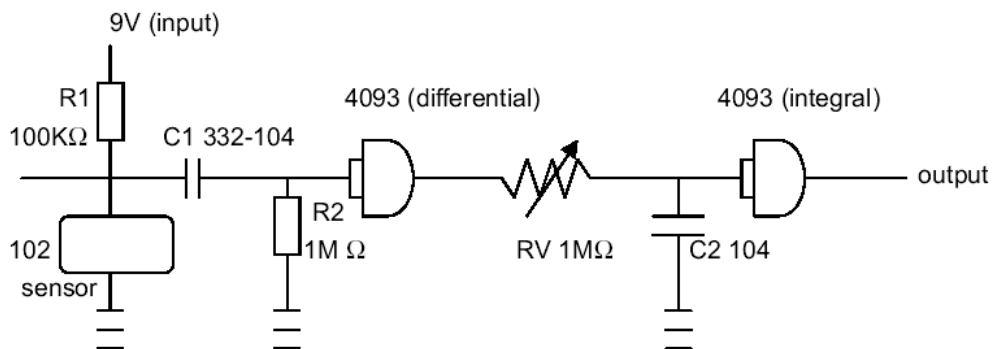
### - Features:

- Wide range shock detecting.
- Non direction limited.
- 12,000,000 times shock guarantee (special gold alloy plated)
- Low cost circuit can adjust Sensitivity.

### - Dimension:



### - Reference circuit:



### Attention:

1. Output must become **square wave**. (Can not use as shock switch!)
2. Take low or high of output square wave into your alarm system and adjust sensitivity from the delay time length.

JIN ZON ENTERPRISE CO., LTD.

TEL.886-2-27111093 FAX.886-2-27310902

E-mail: [jinzon@ms2.hinet.net](mailto:jinzon@ms2.hinet.net)

<http://www.jinzon.com.tw>

# JIN ZON ENTERPRISE CO., LTD.

TEL:886-2-2711-1093~5 FAX:886-2-2731-0902 ,2776-4624

Address : 4F-3. No.171. Sec.2. Chang An E. Rd. Taipei. Taiwan. R.O.C.

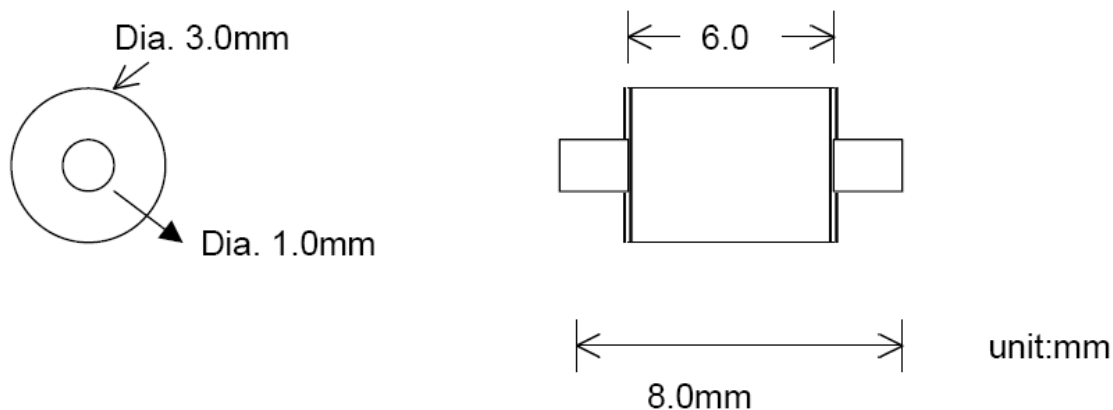
## Shock sensor VS-103 type specification

(Patent s)

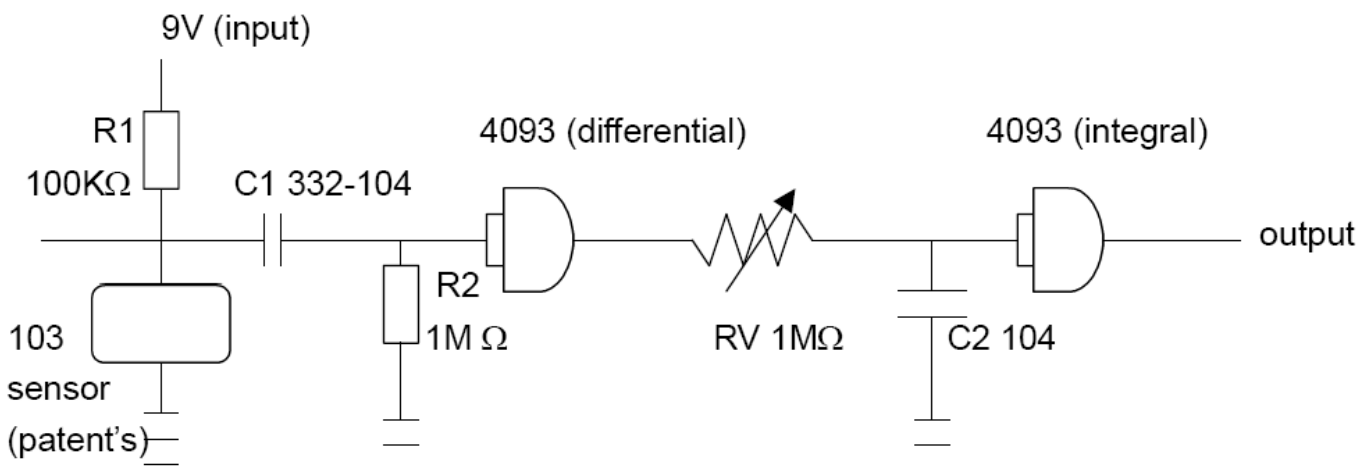
### - Features:

- Micro Shock signal detecting.
- Non direction limited.
- 60,000,000 times shock guarantee (special gold alloy plated)
- Low cost circuit can adjust Sensitivity.
- Mechanical type (non mercury inside)

### - Dimension:



### - Reference circuit:



### - Attention:

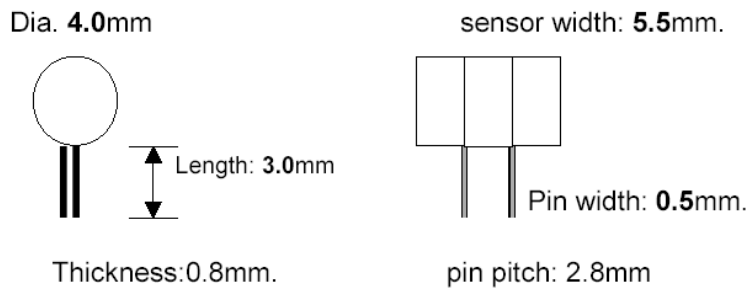
1. The point of output must become **square wave**. (Can not use as shock switch!)
2. Take low or high of output square wave into your alarm system and adjust sensitivity from the delay time length.

## Shock Sensor VS-105 type specification

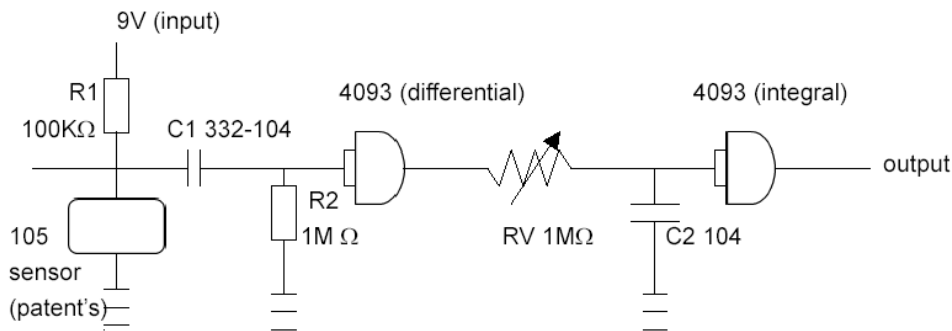
### - Features:

- Micro Shock signal detecting.
- Non direction limited.
- 60,000,000 times shock guarantee (special gold alloy plated)
- Low cost circuit can adjust Sensitivity.
- Mechanical type (non mercury inside)

### - Dimension:



### - Reference circuit:



### - Attention:

1. The point of output must become **square wave**. (*Can not use as On/Off shock switch!*)
2. Take low or high of output square wave into your alarm system and adjust sensitivity from the delay time length.

update: Jan. 20, 2005

JIN ZON ENTERPRISE CO., LTD.

4F-3, No.171, Sec.2, Chang An. E. Rd., Taipei, Taiwan, R.O.C.

TEL.886-2-27111093 FAX.886-2-27310902

E-mail: [jinzon@ms2.hinet.net](mailto:jinzon@ms2.hinet.net)

<http://www.jinzon.com.tw>

# JIN ZON ENTERPRISE CO., LTD.

TEL:886-2-2711-1093~5 FAX:886-2-2731-0902 ,2776-4624

Address : 4F-3. No.171. Sec.2. Chang An E. Rd. Taipei. Taiwan. R.O.C.

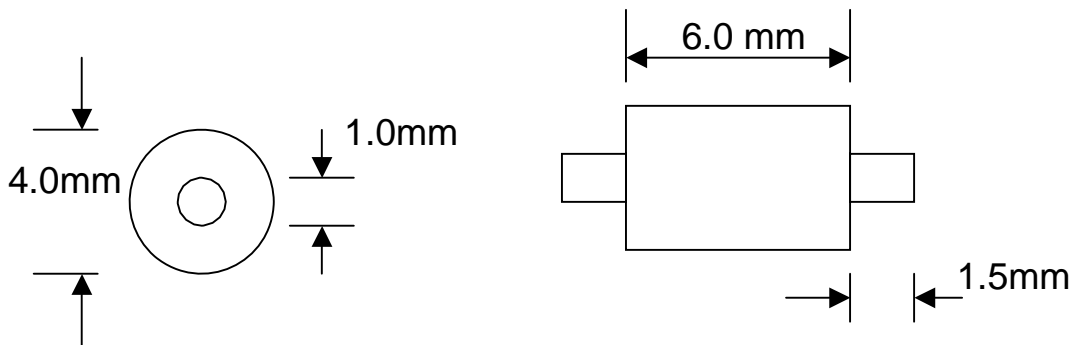
## Shock sensor VS-105C type specification

(Patent's)

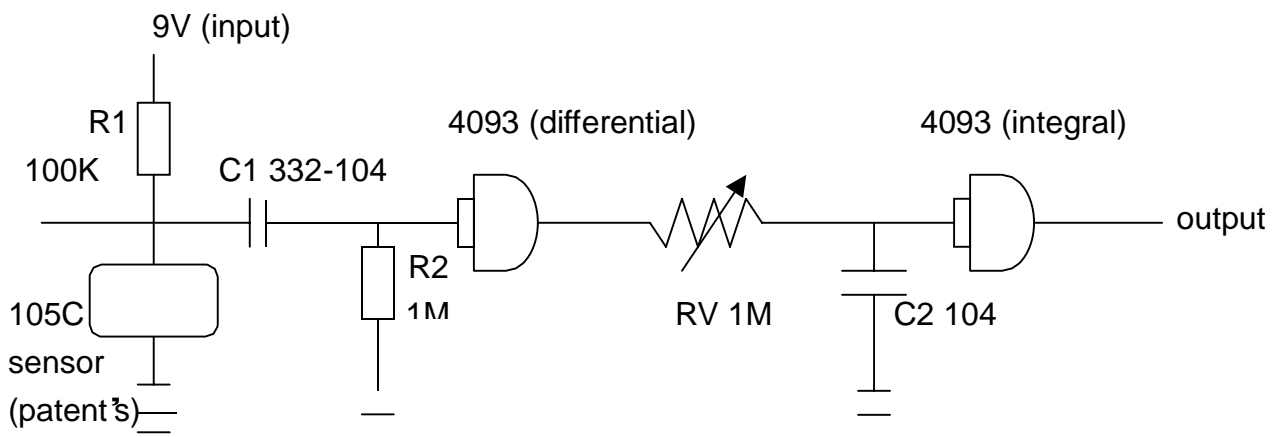
### - Features:

- Micro Shock signal detecting.
- Non direction limited.
- 60,000,000 times shock guarantee (special gold alloy plated)
- Low cost circuit can adjust Sensitivity.
- Mechanical type (non mercury inside)

### - Dimension:



### - Reference circuit:



### - Attention:

1. The point of output must become **square wave**. (*Can not use as On/Off shock switch!*)
2. Take low or high of output square wave into your alarm system and adjust sensitivity from the delay time length.
3. Can be use SMT type package. But the Min. quantity will be 100Kpcs and need to add the package cost.