

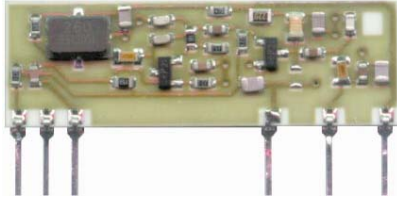
RT8-868.35

868.350 MHz Radio Transmitter Module with SAW Resonator and External Antenna

General description

The RT8 is a SAW stabilized ASK (OOK) transmitter. For a better stability and modulation it employs a two transistor design: an oscillator and a separate power amplifier.

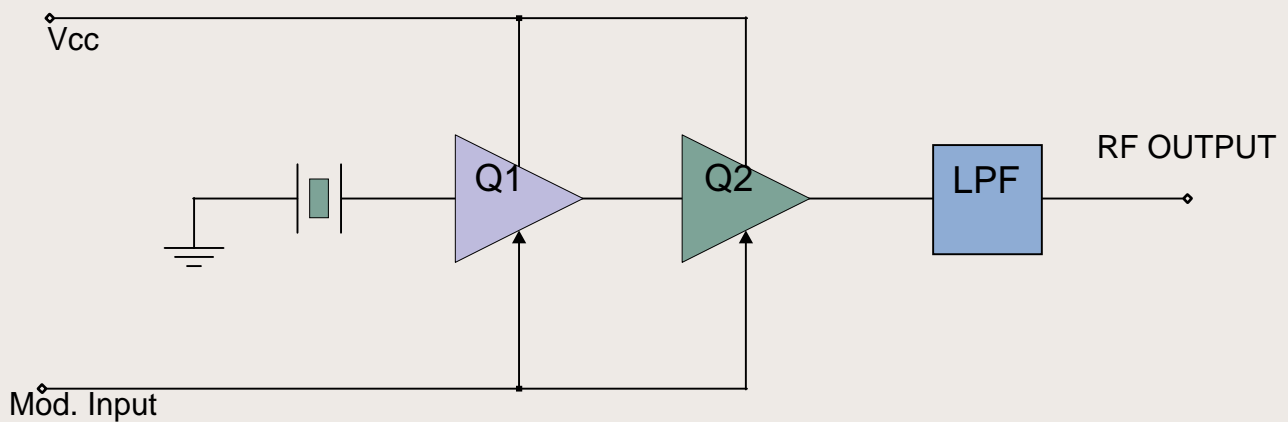
The RT8 is provided by a low-pass filter to attenuate the harmonic emissions.



Applications

- + Wireless security systems
- + Car Alarm systems
- + Remote gate controls
- + Sensor reporting

CIRCUIT SCHEMATIC



Electrical Characteristics

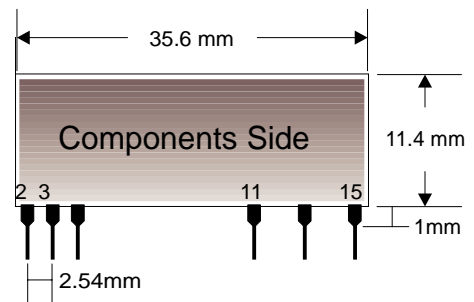
Ta = 25°C unless otherwise specified

CHARACTERISTICS		MIN	TYP	MAX	UNIT
V _{CC}	Supply Voltage	4.0		13	VDC
I _{CC}	Supply Current (V _{CC} =5V IN=1KHz Square Wave)		12		mA
F _W	Working Frequency		868.350		MHz
	Overall Frequency Accuracy	868.200		868.500	MHz
P _O	RF Output Power into 50Ω (V _{CC} =5V)		7	10	dBm
	Harmonic Spurious Emission		-35		dBc
	Max Data Rate			9.6	Kbps
T _{OP}	Operating Temperature Range	-25		+80	°C

Pin description

2	Mod. Input	11	GND
3	NC	13	RF Output
4	GND	15	V _{CC}

Mechanical Dimensions



TYPICAL APPLICATION

