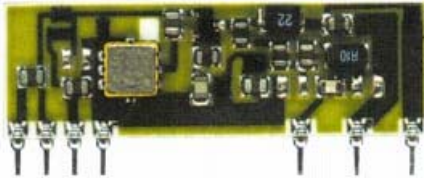


**RT6-XXX****Radio Transmitter Module with SAW Resonator and External Antenna****General description**

The RT6-XXX is an hybrid circuit that allows to realize a complete radio transmitter adding a coding circuit.

It shows stable electric characteristics thanks to the "Thick film hybrid" technology.

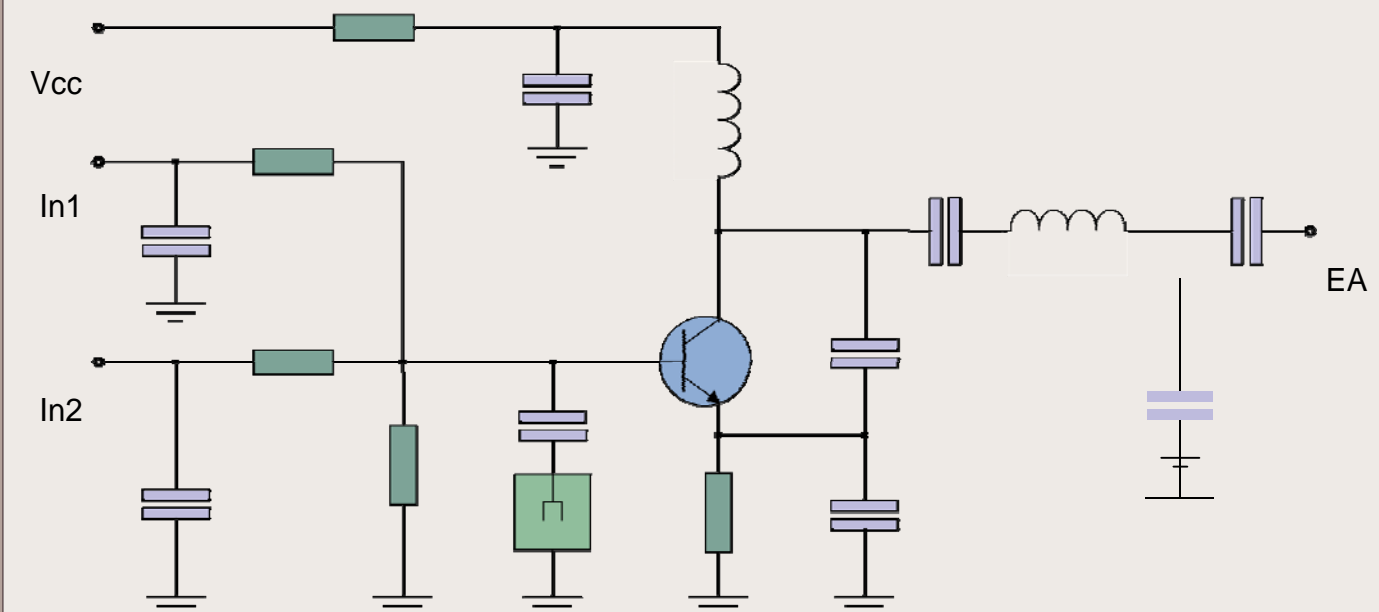
XXX : working frequency (315, 418, 433.92 MHz)

**Features**

- + High Reliability
- + SIL Package

**Applications**

- + Wireless security systems
- + Car Alarm systems
- + Remote gate controls
- + Sensor reporting

**CIRCUIT SCHEMATIC**

## Electrical Characteristics

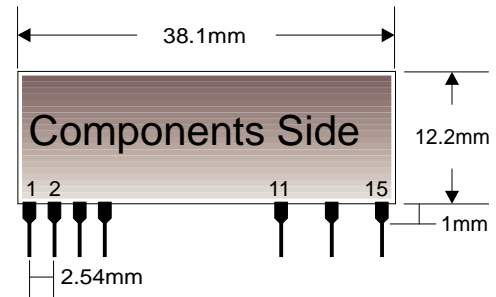
Ta = 25°C unless otherwise specified

CHARACTERISTICS		MIN	TYP	MAX	UNIT
V <sub>CC</sub>	Supply Voltage	2.7		14	VDC
I <sub>S</sub>	Supply Current (IN=1KHz Square Wave)		See Table		mA
F <sub>W</sub>	Working Frequency	303.8		433.92	MHz
P <sub>O</sub>	RF Output Power into 50Ω		See Table		dBm
	Harmonic Spurious Emission		-50		dBc
V <sub>IH</sub>	Input High Voltage	2.5		V <sub>CC</sub>	V
	Max Data Rate			4	KHz
T <sub>OP</sub>	Operating Temperature Range	-25		+80	°C

## RF Output Power

V <sub>CC</sub> (V)	IN1	IN2	P <sub>O</sub> (dBm)	I <sub>S</sub> (mA)
3 ÷ 5	0 ÷ V <sub>CC</sub>	NC	3 ÷ 8	3 ÷ 7
5 ÷ 8	NC	0 ÷ 5	7 ÷ 10	3 ÷ 4
8 ÷ 12	0 ÷ 5	NC	12 ÷ 15	7 ÷ 9

## Mechanical Dimensions



## Pin description

1 GND	4 GND	15 Vcc
2 IN1	11 EA	
3 IN2	13 GND	

## TYPICAL APPLICATION

