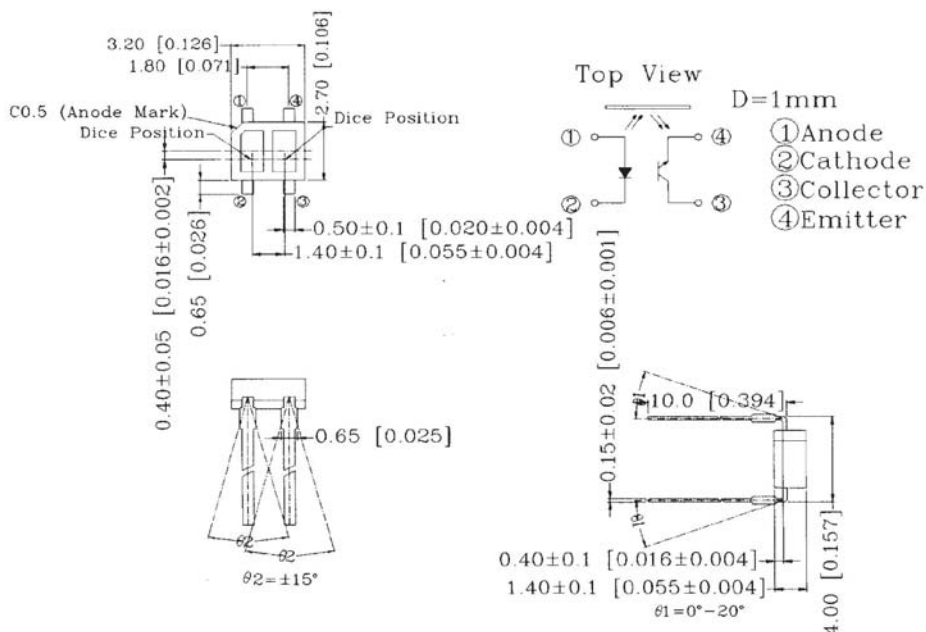
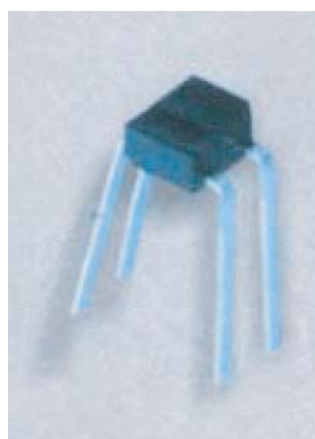


JTPR-105

Tolerance:±0.25

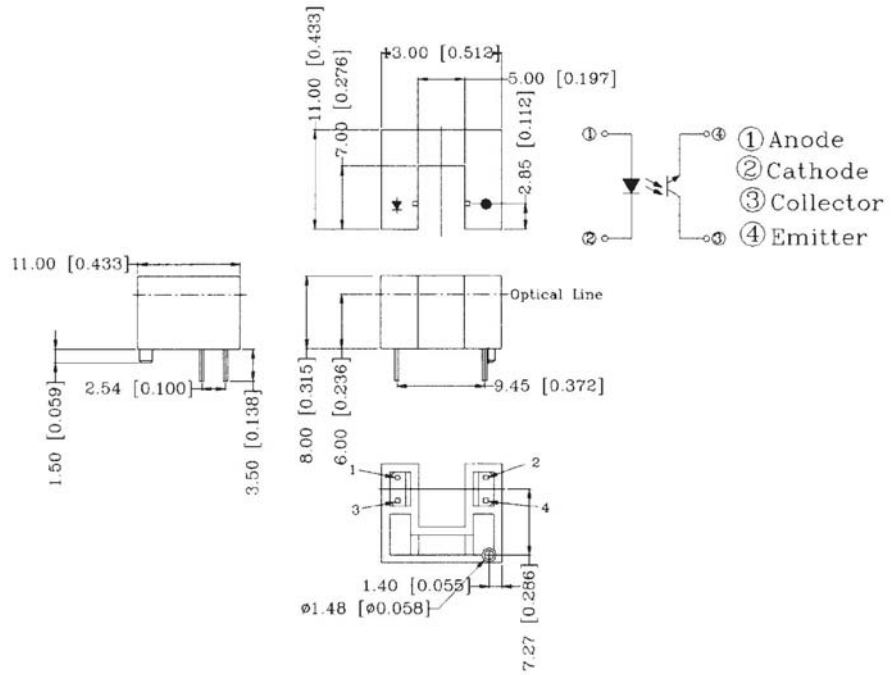
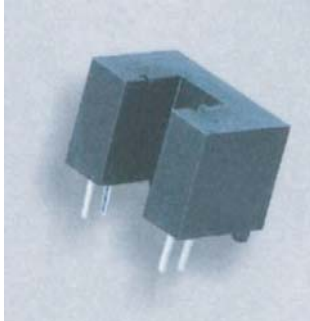
Part no.	Package (mm [Inch])	V <sub>F</sub> @ I <sub>F</sub> =20mA	I <sub>R</sub> @ V <sub>R</sub> =5V	I <sub>D</sub> @ V <sub>CE</sub> =10V	V <sub>CE(sat)</sub> I <sub>C</sub> =0.25mA I <sub>F</sub> =10mA	I <sub>L</sub> @ V <sub>CE</sub> =5V I <sub>F</sub> =10mA	Tr/Tf @ I <sub>FP</sub> =20mA V <sub>CE</sub> =5V R <sub>L</sub> =1K
JTPR-105		Max.1.5V	Max.100uA	Max.200nA	Max.0.4V	Min.80uA	Typ.20/20



JTPR-105F

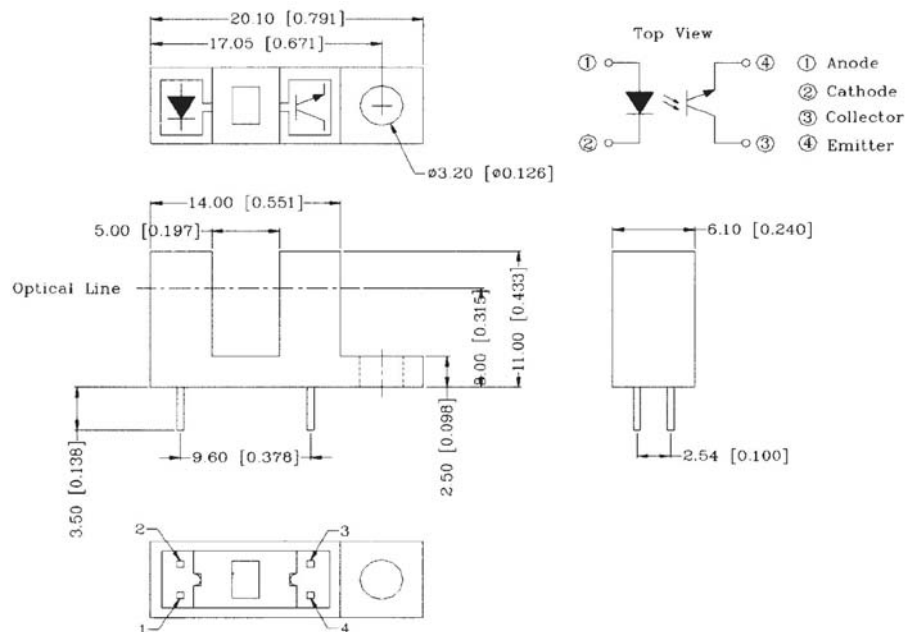
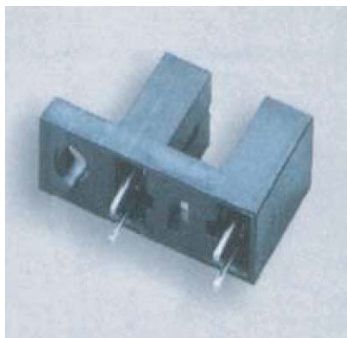
Tolerance:±0.25

Part no.	Package (mm [Inch])	V <sub>F</sub> @ I <sub>F</sub> =20mA	I <sub>R</sub> @ V <sub>R</sub> =5V	I <sub>D</sub> @ V <sub>CE</sub> =10V	V <sub>CE(sat)</sub> I <sub>C</sub> =0.25mA I <sub>F</sub> =10mA	I <sub>L</sub> @ V <sub>CE</sub> =5V I <sub>F</sub> =10mA	Tr/Tf @ I <sub>FP</sub> =20mA V <sub>CE</sub> =5V R <sub>L</sub> =1K
JTPR-105F		Max.1.5V	Max.100uA	Max.200nA	Max.0.4V	Min.80uA	Typ.20/20



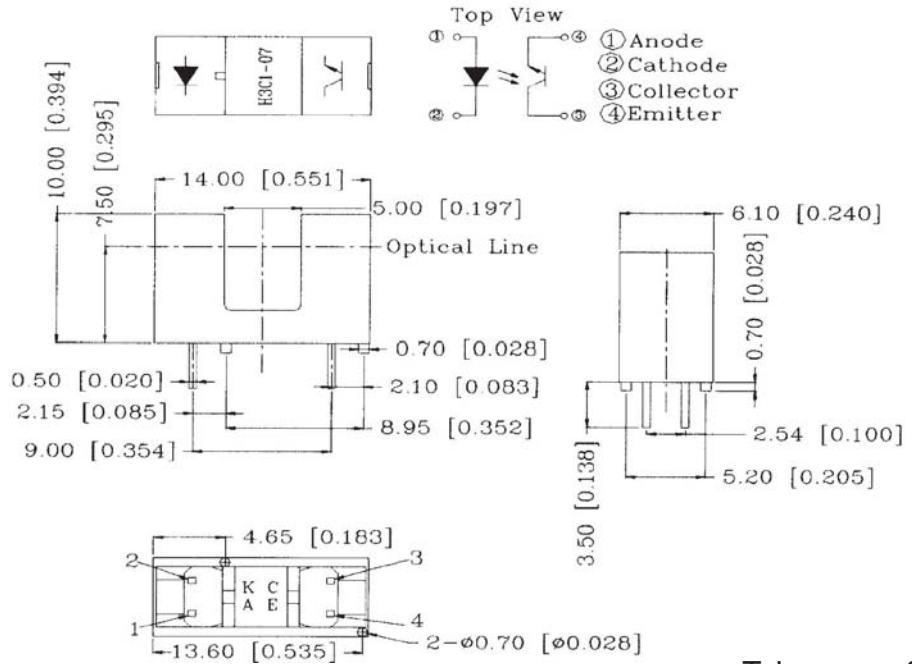
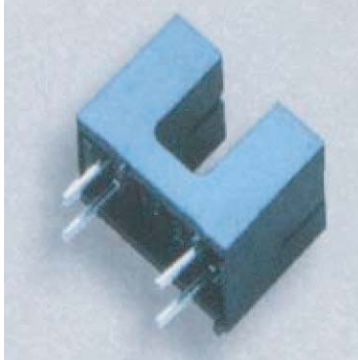
JTPI-3C1-01

Part no.	Package (mm [Inch])	V <sub>F</sub> @ I <sub>F</sub> =20mA	I <sub>R</sub> @ V <sub>R</sub> =5V	I <sub>D</sub> @ V <sub>CE</sub> =10V	V <sub>CE(sat)</sub> I <sub>C</sub> =0.25mA I <sub>F</sub> =10mA	I <sub>L</sub> @ V <sub>CE</sub> =5V I <sub>F</sub> =10mA	Tr/Tf @ I <sub>FP</sub> =20mA V <sub>CE</sub> =5V R <sub>L</sub> =1K
JTPI-3C1-01		Max.1.5V	Max.100uA	Max.100nA	Max.0.4V	Min.0.5mA	Typ.20/20



JTPI-3C1-03

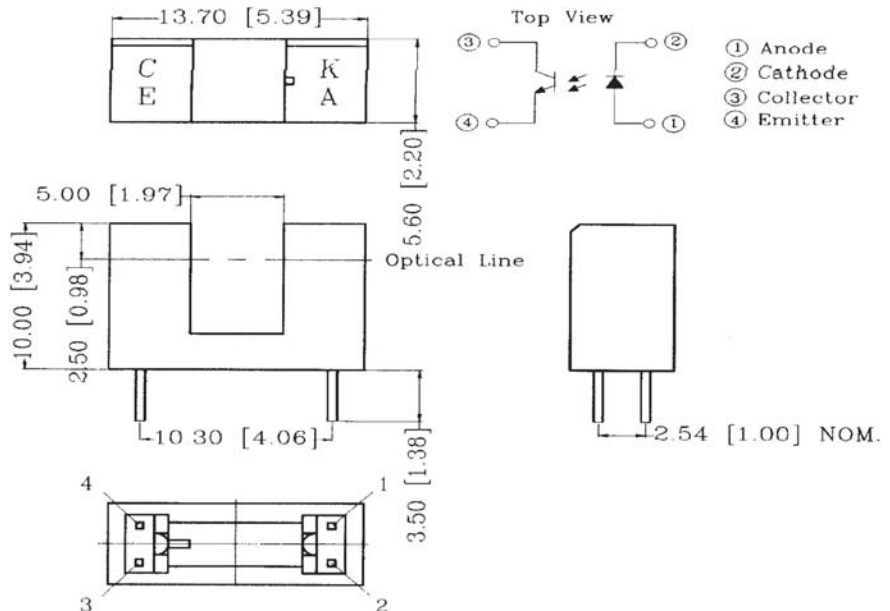
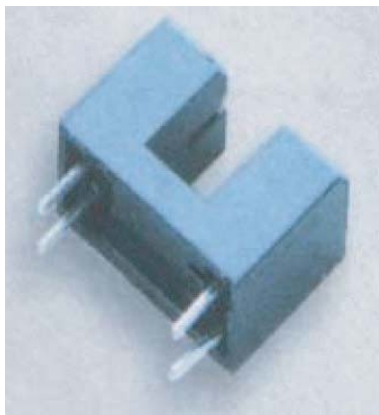
Part no.	Package (mm [Inch])	V <sub>F</sub> @ I <sub>F</sub> =20mA	I <sub>R</sub> @ V <sub>R</sub> =5V	I <sub>D</sub> @ V <sub>CE</sub> =10V	V <sub>CE(sat)</sub> I <sub>C</sub> =0.25mA I <sub>F</sub> =10mA	I <sub>L</sub> @ V <sub>CE</sub> =5V I <sub>F</sub> =10mA	Tr/Tf @ I <sub>FP</sub> =20mA V <sub>CE</sub> =5V R <sub>L</sub> =1K
JTPI-3C1-03		Max.1.5V	Max.100uA	Max.100nA	Max.0.4V	Min.0.5mA	Typ.20/20



JTPI-3C1-07

Tolerance:  $\pm 0.25$

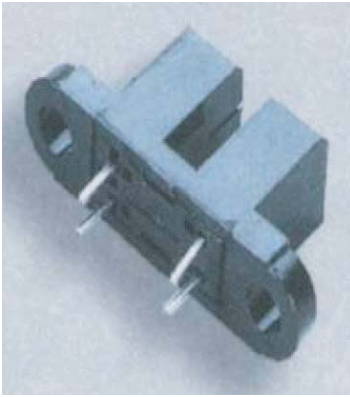
Part no.	Package (mm [Inch])	$V_F$ @ $I_F=20mA$	$I_R$ @ $V_R=5V$	$I_D$ @ $V_{CE}=10V$	$V_{CE(sat)}$ $I_C=0.25mA$ $I_F=10mA$	$I_L$ @ $V_{CE}=5V$ $I_F=10mA$	$Tr/Tf$ @ $I_{FP}=20mA$ $V_{CE}=5V$ $R_L=1K$
JTPI-3C1-07		Max.1.5V	Max.100uA	Max.100nA	Max.0.4V	Min.0.5mA	Typ.20/20



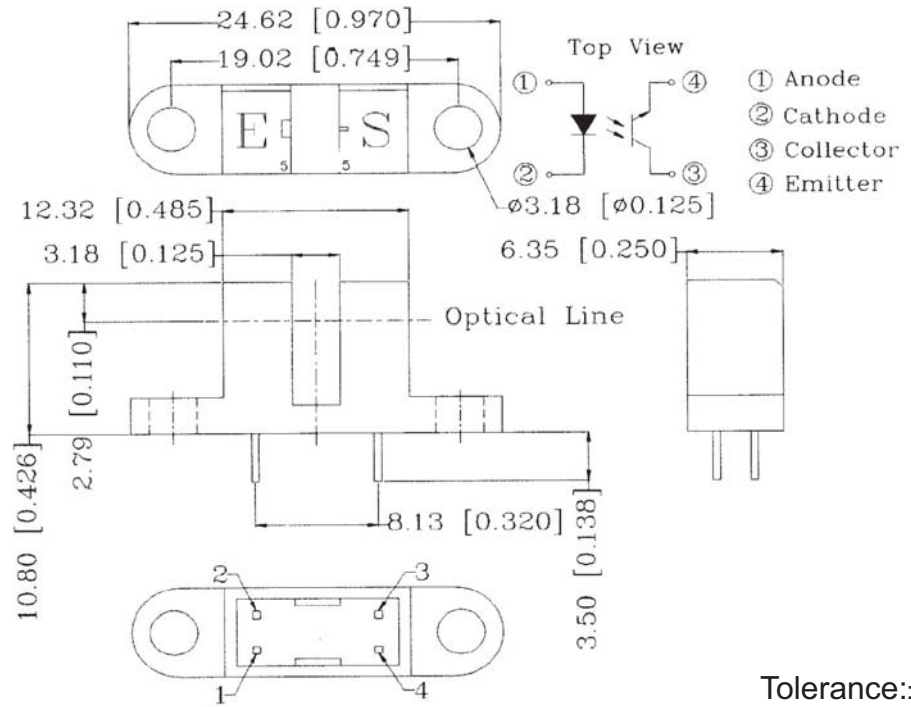
JTPI-3C1-08

Tolerance:  $\pm 0.25$

Part no.	Package (mm [Inch])	$V_F$ @ $I_F=20mA$	$I_R$ @ $V_R=5V$	$I_D$ @ $V_{CE}=10V$	$V_{CE(sat)}$ $I_C=0.25mA$ $I_F=10mA$	$I_L$ @ $V_{CE}=5V$ $I_F=10mA$	$Tr/Tf$ @ $I_{FP}=20mA$ $V_{CE}=5V$ $R_L=1K$
JTPI-3C1-08		Max.1.5V	Max.100uA	Max.100nA	Max.0.4V	Min.0.5mA	Typ.20/20

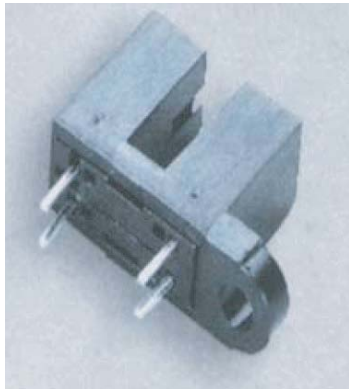


JTPI-470-T51

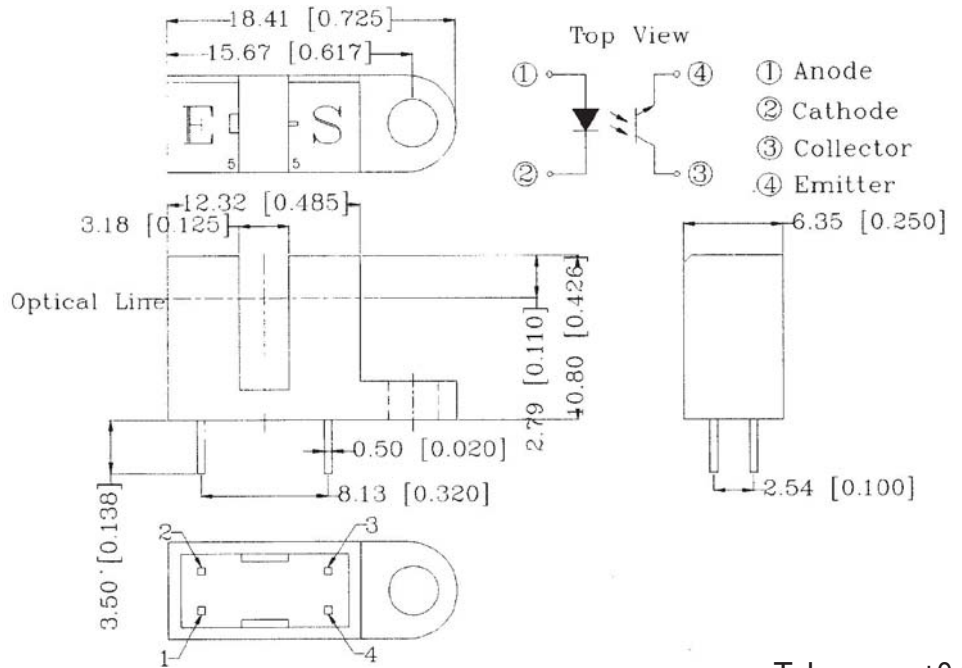


Tolerance: ±0.25

Part no.	Package (mm [Inch])	V <sub>F</sub> @ I <sub>F</sub> =20mA	I <sub>R</sub> @ V <sub>R</sub> =5V	I <sub>D</sub> @ V <sub>CE</sub> =10V	V <sub>CE(sat)</sub> I <sub>C</sub> =0.25mA I <sub>F</sub> =10mA	I <sub>L</sub> @ V <sub>CE</sub> =5V I <sub>F</sub> =10mA	Tr/Tf @ I <sub>FP</sub> =20mA V <sub>CE</sub> =5V R <sub>L</sub> =1K
JTPI-470-T51		Max.1.5V	Max.100uA	Max.100nA	Max.0.4V	Min.0.5mA	Typ.20/20



JTPI-470-P51



Tolerance: ±0.25

Part no.	Package (mm [Inch])	V <sub>F</sub> @ I <sub>F</sub> =20mA	I <sub>R</sub> @ V <sub>R</sub> =5V	I <sub>D</sub> @ V <sub>CE</sub> =10V	V <sub>CE(sat)</sub> I <sub>C</sub> =0.25mA I <sub>F</sub> =10mA	I <sub>L</sub> @ V <sub>CE</sub> =5V I <sub>F</sub> =10mA	Tr/Tf @ I <sub>FP</sub> =20mA V <sub>CE</sub> =5V R <sub>L</sub> =1K
JTPI-470-P51		Max.1.5V	Max.100uA	Max.100nA	Max.0.4V	Min.0.5mA	Typ.20/20