

# Microwave door Actuator/Sensor MDA6700



\* Black color

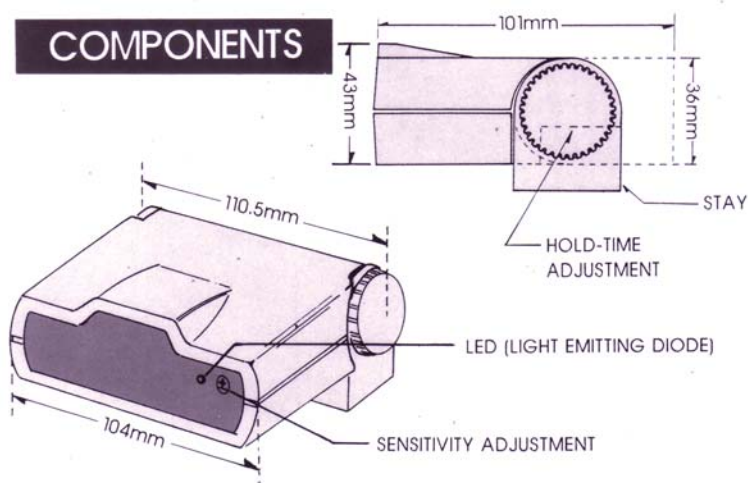


\* Ivory color

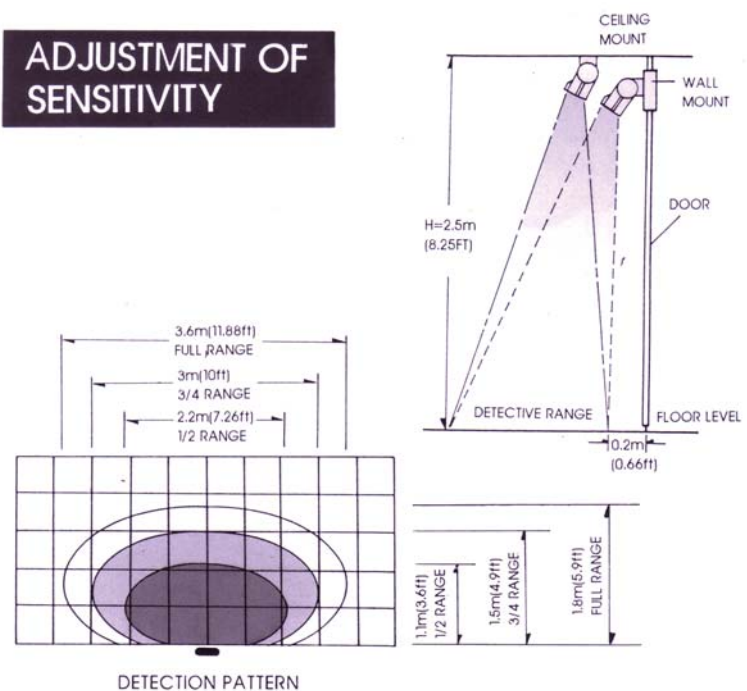
## Specifications

Type	MDA 6700H	MDA 6700L
Operating Frequency	24.145~24.155GHz	24.115~24.125GHz
Maximum installation Height	Max.3.5 meters(11.55ft)	
Power Requirement	AC110V or 220V or 240V 50/60Hz AC & DC 12~24V or 10.5~15V	
Consumption	4VA Max.	
Power & Operation Indicator	Power On:LED light up Red Operating:LED light up Green	
Output Contact	Relay Contact 1A. 24VDC	
Output Hold-time	1~8sec	
Working Speed	0.2~4Km/h	
Working Temperature Range	-20°C~+55°C(-4°F~+131°F)	
Dimension( L X W X H )	101 X 110.5 X 43 mm 3.98 X 4.35 X 1.69 inches	
Weight	350g	
Accessories	2.8m Wire,Two Mounting Screws	

## COMPONENTS



## ADJUSTMENT OF SENSITIVITY



## FEATURES

- Suitable sensor for both single and double doors
- Sharply-defined detection pattern
- Adjustable hold-time
- High degree of aesthetic appeal
- Ease of installation and mounting
- Optional "Ding-dong" bell

# Digital microwave door sensor Oryx-02



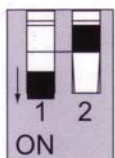
\* Black color



\* Silver color

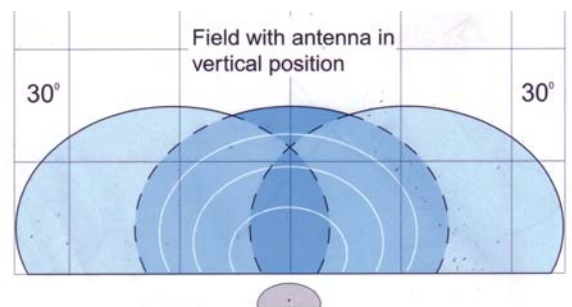
## Specifications

Type	Oryx-02
Operating Frequency	24.125GHz
Maximum installation Height	Max.4 meters
Power Requirement	AC & DC 12~24V
Consumption	4VA Max.
Power & Operation Indicator	Power On:LED light up Red Operating:LED light up Green
Output Contact	Relay Contact 1A. 24VDC/120VAC
Output Hold-time	0.5~10sec
Output Contact	NO and NC Contacts
Working Temperature Range	-30°C~+55°C(-22°F~+131°F)
Dimension( L X W X H )	123 X 79 X 50 mm
Weight	400g
Accessories	2.8m Wire,Two Mounting Screws



Oryx-02  
Function

- Oryx-02(bi-directional)
- (1) on : Normal function
  - off : Increase detective Height
  - (2) on : Relay reversed output (NC contact)
  - off : Relay regular output (NO contact)



## JIN ZON ENTERPRISE CO., LTD

4F-3, No. 171, Sec. 2, Chang-An E. Rd., Taipei 10490, Taiwan  
 TEL:886-2-2711-1093 FAX:886-2-2731-0902 Email:jinzon@ms2.hinet.net  
<http://www.jinzon.com.tw> <http://www.allproducts.com/ee/jinzonco/>