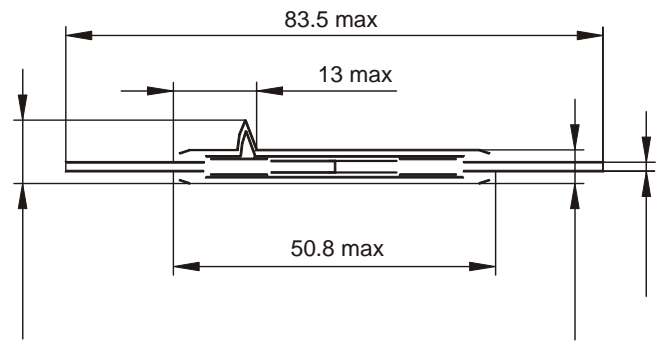


JIN ZON ENTERPRISE CO., LTD.

4F-3, No. 171, Sec. 2, Chang An E. Rd.,
 Taipei, Taiwan, R. O. C.
 TEL: 886-2-27111093~5
 FAX: 886-2-27310902
 E-mail: jinzon@ms2.hinet.net
 Http:// www.jinzon.com.tw/

High voltage reed switch ZP – 4P, 5P, 6P

This product is in accordance with RoHs



all dimensions in mm

PARAMETERS	Unit	TYPE		
		ZP-4P	ZP-5P	ZP-6P
Contact form		normally open		
Switching power	max W, VA	10		
Switching current	max A	1		
Carry current	max A	3		
Switching voltage (DC or AC PEAK)	max kV	12		
Breakdown voltage	min kV _{DC}	17	18	19
Pull-in Ampere turns	AT	160 ÷ 200		
Contact resistance	max mΩ	100		
Operate time incl. bounce time	max ms	3.6		
Release time	max ms	0.5		
Capacitance	max pF	0.4		
Insulation resistance	min Ω	10 ¹²		
Environment category acc. to IEC 68-1		55/125/10		
Operating life tested with resistive loads Load 10 kV _{DC} , 1 mA		0.5x10 ⁶ operations		
Test coil - No. of turns - Dimensions - Resistance	mm Ω	CP-12 10000 φ0.07 φ7.6x25.4 1480	acc. Polish Standard PN-75/T-04400	