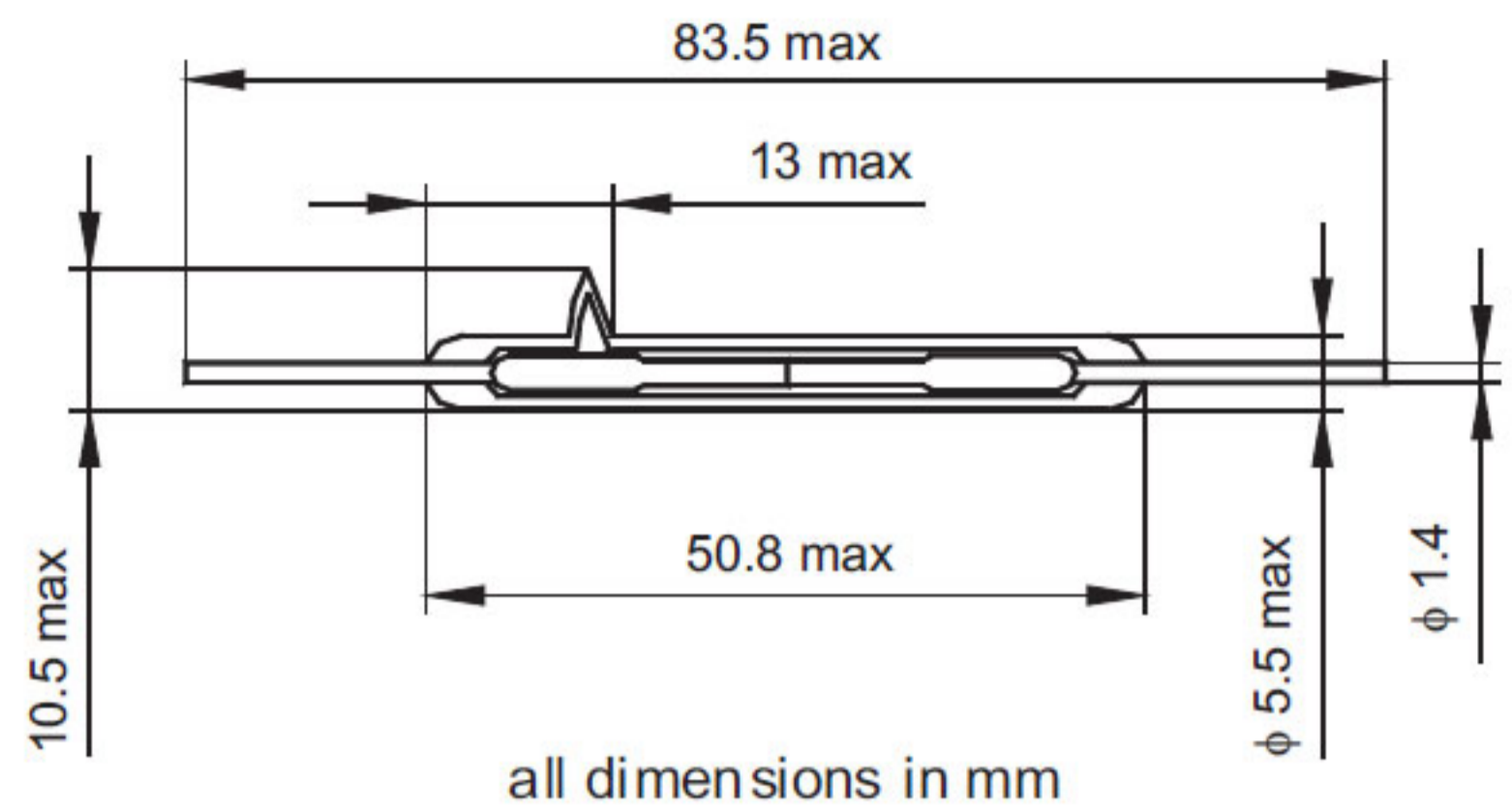


JIN ZON ENTERPRISE CO., LTD.

4F-3, No. 171, Sec. 2, Chang An E. Rd.,
 Taipei, Taiwan, R. O. C.
 TEL: 886-2-27111093~5
 FAX: 886-2-27310902
 E-mail: jinzon@ms2.hinet.net
 Http:// www.jinzon.com.tw/

High voltage reed switch ZP - 1, 2, 3

This product is in accordance with RoHs



PARAMETERS	Unit	TYPE		
		ZP-1	ZP-2	ZP-3
Contact form		normally open		
Switching power	max W,VA	50		
Switching current	max A	2		
Carry current	max A	3		
Switching voltage (DC or AC PEAK)	max kV	5	7.5	10
Breakdown voltage	min kV _{DC}	7	10	14
Pull-in Ampere turns	AT	100 ÷ 170	100 ÷ 180	120 ÷ 200
Contact resistance	max mΩ	100		
Operate time incl. bounce time	max ms	3.6		
Release time	max ms	0.5		
Capacitance	max pF	0.5		
Insulation resistance	min Ω	10 ¹²		
Environment category acc. to IEC 68-1		55/125/10		
Operating life tested with resistive loads		operations		
Load 1 5 kV _{DC} , 1 mA		0.5x10 ⁶	0.5x10 ⁶	0.5x10 ⁶
Load 2 7.5 kV _{DC} , 1 mA				
Load 3 10 kV _{DC} , 1 mA				
Test coil		CP-12		acc. Polish Standard PN-75/T-04400
- No. of turns		10000 φ 0.07		
- Dimensions	mm	φ 7.6x25.4		
- Resistance	Ω	1480		