



The very high carry current capacity and high voltage isolation of this series is achieved through the use of multiple high vacuum reed switch contacts, ensuring a high level of performance and reliability. The two standard models will carry currents of 12 and 20Amps respectively at 30MHz and feature silver plated, fully screened coil assemblies for ultra-low RF losses. Typical applications include over the horizon (OTH) HF radar systems and 1kW base station transmitters.

- **Up to 20A Carry Current at 30MHz**
- **6.5kV DC isolation across contacts**
- **Fully Screened Coil for Low RF Loss**
- **Cost Effective alternative to Vacuum Ceramic Devices**
- **Unique Design**
- **Suitable for 1 kW HF Transmitters**

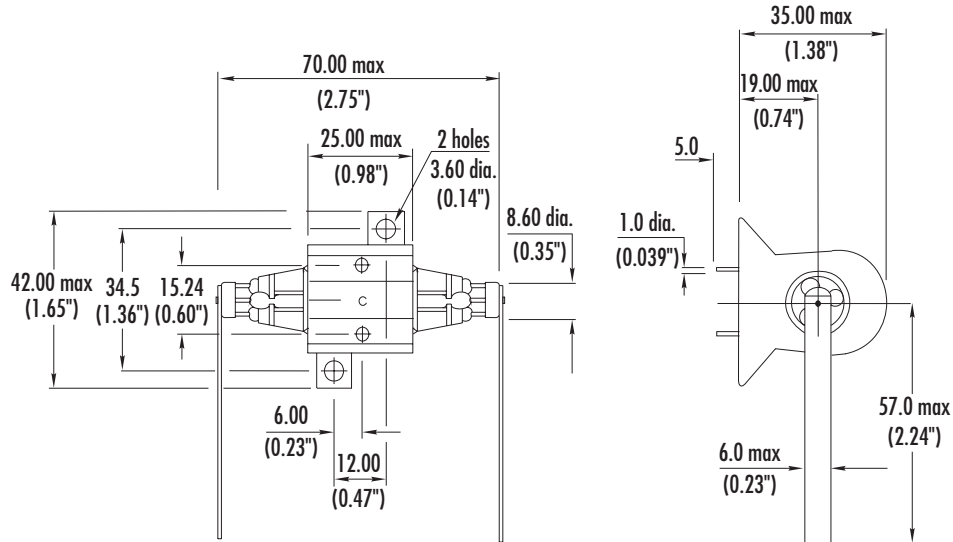
Available as Form A (SPNO) only.

| CONTACT | UNITS | CONDITIONS | FRD32061 | FRD32062 |
|--|------------|-------------------|--------------------------------------|--------------------------------------|
| Action (form A, B or Latching) | | | A | A |
| Switching Voltage | V | DC max | 20 | 20 |
| Switching Current | A | DC max | 1 | 1 |
| Carry Current | A | RMS at 30MHz max | 12 | 20 |
| Isolation | kV | DC max | 6 | 6.5 |
| Capacitance (max.) | pF | coil/screen gnd | 2 | 2 |
| Lifetime | operations | dry switching | 10 ⁹ | 10 ⁹ |
| | | 24V, 1A | 10 ⁷ -10 ⁸ | 10 ⁷ -10 ⁸ |
| Contact Resistance | mOhms | maximum (typical) | 50 (10) | 50 (10) |
| Insulation Resistance | Ohms | minimum (typical) | 10 ¹⁰ (10 ¹³) | 10 ¹⁰ (10 ¹³) |
| COIL at 20°C | | | | |
| Nominal Working Voltage | VDC | | 24 | 24 |
| Must Operate | VDC | max | 16 | 16 |
| Must Release | VDC | min | 4 | 4 |
| Nominal Resistance | Ohms | +/-10% | 430 | 270 |
| RF Screening | | | Full | Full |
| RF Screening Connection | | | Via Mtg Screws | Via Mtg Screws |
| RELAY | | | | |
| Operate time (incl. bounce) | ms | | 5 | 5 |
| Release time | ms | | 3 | 3 |
| Isolation contact to all other terminals | kV | DC max | 10 | 10 |
| Isolation coil to screen | kV | DC max | 0.5 | 0.5 |
| Capacitance contact to all other terms | pF | contacts open | 6.0 | 6.0 |
| ENVIRONMENTAL | | | | |
| Storage temperature range | °C | | -55°C to +125°C | |
| Operating temperature range | °C | | -40°C to +85°C | |
| Weight | gm | typical | 76 | 108 |

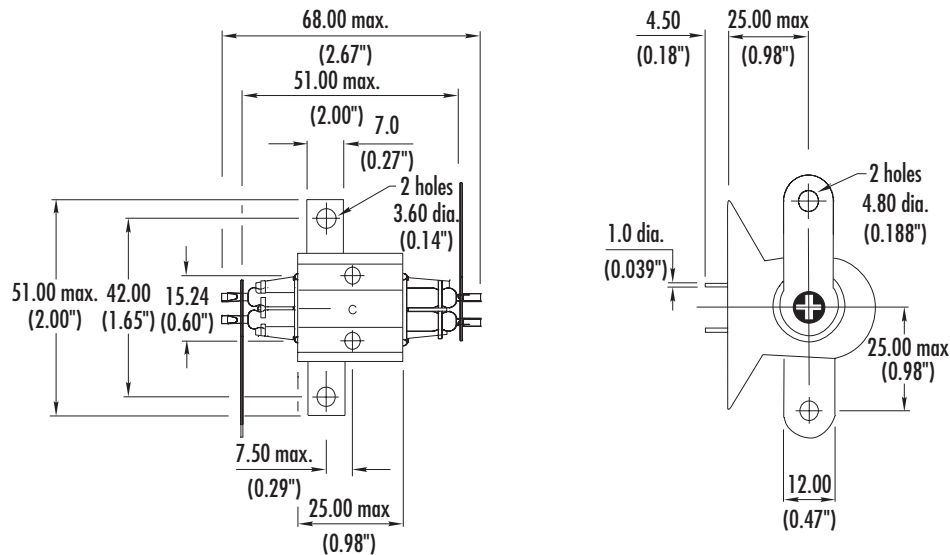
Mechanical Dimensions

All dimensions are in millimeters (inches)

FRD32061



FRD32062



ISO9001 Certified

USA

Sales & Tech Support(866) 258-5057
Email: sales@cynergy3.com
Cynergy3 Components
2320 Paseo de las Americas, Suite 104
San Diego, CA 92154

EUROPE - UK

Telephone +44 (0) 1202 897969
Fax +44 (0) 1202 891918
Email:sales@cynergy3.com
Cynergy3 Components Ltd.
7 Cobham Road
Ferndown Industrial Estate
Wimborne, Dorset BH21 7PE

ASIA - Thailand

Telephone +66 (0)2 665 2517
Fax +66 (0)2 665 2588
Cynergy 3 Components, Asia
18/8 Fico Place 12th Floor
Soi Sukhumvit 21 (Asoke)
Klongtoey Nua, Wattana
Bangkok, Thailand 10110