

Model SSF213

The SSF213 series is a miniature horizontally mounted switch that is mounted internally in the side of the tank, so requires access to the inside of the tank.

Total length inside tank for this type is 54.5 mm.

They are manufactured in 304 grade Stainless Steel, for those liquids and environments that require the use of Stainless Steel and will work in liquids of SG 0.8 minimum.

The switch action may be reversed by mounting the device with the float able to move upwards away from the body, instead of the normal downwards direction.

Crydom Part No : SSF213T050

TECHNICAL SPECIFICATIONS

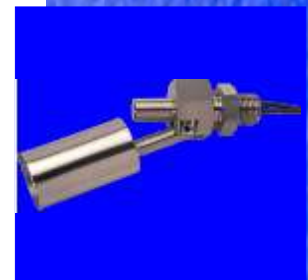
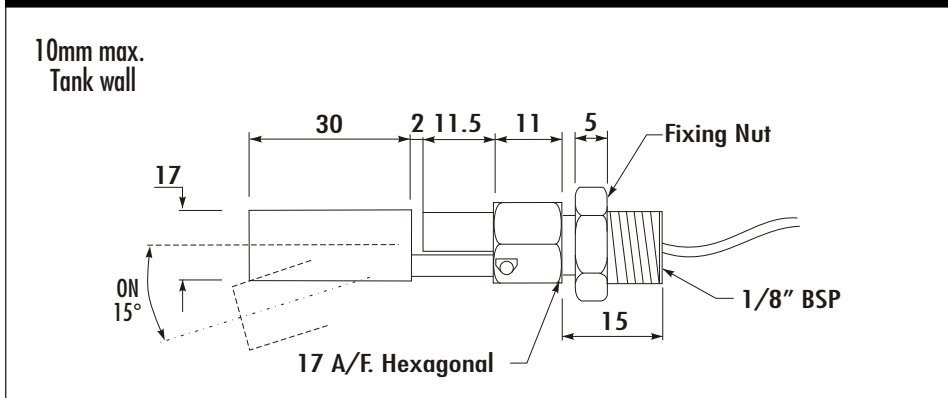
Mounting style	Internal	Cable length - standard	500
Mounting thread	1/8" BSP	Cable size	17/0.10 - AWG22
Float & Stem material	304 grade	Cable conductor material	Tinned copper
Maximum Temperature	120°C	Cable sheath material	XLPE
Maximum Pressure	5 bar	Cable temperature rating	125°C
Float SG	0.7	Sealing gasket	Not supplied
Minimum fluid SG	0.8	Tightening torque for fixing nut	2.0kg/cm

ELECTRICAL SPECIFICATIONS

Contact type	N/O or N/C
Switching Power VA	1
Switching current max A	0.1
Switching voltage AC	24
Switching voltage DC	24
Breakdown voltage min DC	150

All ratings are for resistive load only

OUTLINE DIMENSIONS



- *Stainless steel*
- *Internal mounting*
- *Miniature design*
- *Temperature range to 120° C*
- *User configurable N/O or N/C action*

Model SSF213
liquid level sensors

