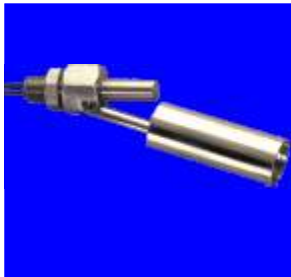


- **Stainless steel**
- **Internal mounting**
- **Compact design**
- **Temperature range to 120°C**
- **User configurable N/O or N/C action**



Model SSF211

The SSF211 series is a horizontally mounted switch that is mounted internally in the side of the tank, so requires access to the inside of the tank.

They are manufactured in 304 grade Stainless Steel, for those liquids and environments that require the use of Stainless Steel and will work in liquids of SG 0.8 minimum.

The switch action may be reversed by mounting the device with the float able to move upwards away from the body, instead of the more normal downwards direction.

Crydom Part No : SSF211X050

TECHNICAL SPECIFICATIONS

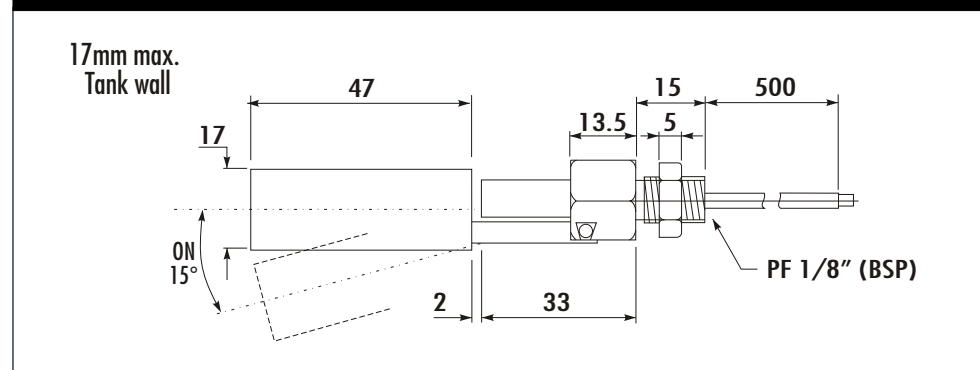
Mounting style	Internal	Cable length - standard	500mm
Mounting thread	1/8" BSP	Cable size	17/0.10 - AWG22
Float & Stem material	304 grade	Cable conductor material	Tinned copper
Maximum Temperature	120°C	Cable sheath material	XLPE
Maximum Pressure	5 bar	Cable temperature rating	125°C
Float SG	0.7	Sealing gasket	Not supplied
Minimum fluid SG	0.8	Tightening torque for fixing nut	2.0kg/cm

ELECTRICAL SPECIFICATIONS

Contact type	N/O or N/C
Switching Power VA	50
Switching current max A	0.5
Switching voltage AC	300
Switching voltage DC	300
Breakdown voltage min DC	600

All ratings are for resistive load only

OUTLINE DIMENSIONS



CONTACT US NOW
UNITED KINGDOM
CRYDOM

T +44 (0) 1202 897969

F +44 (0) 1202 891918

E magnetics@crydom.com

W www.crydom.co.uk

USA
CRYDOM

T +1 619 2101600

F +1 619 710 8540

E sales@crydom.com

W www.crydom.com

Model SSF211
liquid level sensors

