



- Low Leakage
- Panel Mount
- Zero and Random Voltage Switching

The Series XBP has an output featuring low off-state leakage, zero and random voltage switching

Manufactured in Crydom's ISO 9001 Certified facility for optimum product performance and reliability.

MODEL NUMBERS	XBP4025 XBPE4025	XBP4050 XBPE4050
OUTPUT SPECIFICATIONS ^①		
Operating Voltage (47-63 Hz) [Vrms]	24-400	24-400
Load Current Range ^③ [Arms]	0.15-25	0.15-50
Transient Overvoltage [Vpk]	800	800
Max. Surge Current, (16.6ms) [Apk]	160	460
Max. On-State Voltage Drop @ Rated Current [Vpk]	1.6	1.6
Thermal Resistance Junction to Case (R _{θJC}) [°C/W]	1.6	1.0
Maximum I ² t for Fusing, (8.3 msec.) [A ² sec]	100	870
Max. Off-State Leakage Current @ Rated Voltage [mA]	1.0	1.0
Min. Off-State dv/dt @ Max. Rated Voltage [V/μsec] ^②	500	500
Max. Turn-On Time ^④	1/2 Cycle	1/2 Cycle
Max. Turn-Off Time	1/2 Cycle	1/2 Cycle
Power Factor (Min.) with Max. Load	0.5	0.5

INPUT SPECIFICATIONS	MODEL NUMBERS	XBP40XX	XBPE40XX
Control Voltage Range		3.5-15 Vdc	15-32 Vdc
Max. Turn-On Voltage		3.5 Vdc	15.0 Vdc
Min. Turn-Off Voltage		1.0 Vdc	1.0 Vdc
Nominal Input Impedence		300 Ohm	1.5 K Ohm
Typical Input Current		12 mA @ 5 Vdc	15mA @ 15 V

GENERAL SPECIFICATIONS

Dielectric Strength 50/60Hz , Input/Output/Base	2500 Vrms
Insulation Resistance (Min.) @ 500 Vdc	10 ⁹ Ohm
Max. Capacitance Input/Output	10 pF
Ambient Operating Temperature Range	-40 to 80°C
Ambient Storage Temperature Range	-40 to 125°C

MECHANICAL SPECIFICATIONS

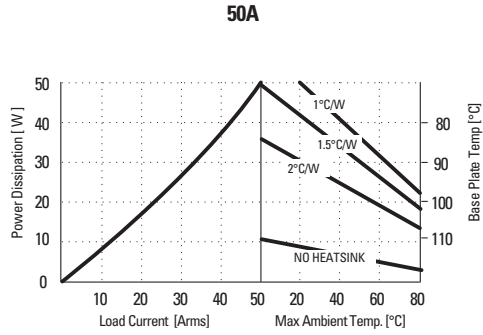
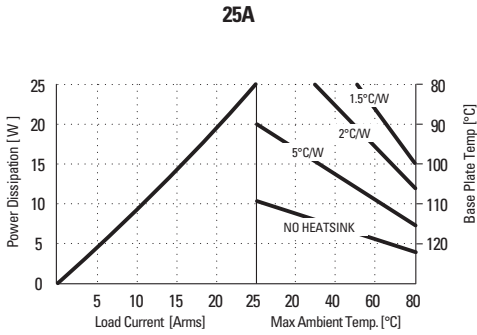
Weight: (typical)	3.0 oz. (85 g)
Terminals:	Screws and Saddle Clamps Furnished, Mounted

GENERAL NOTES

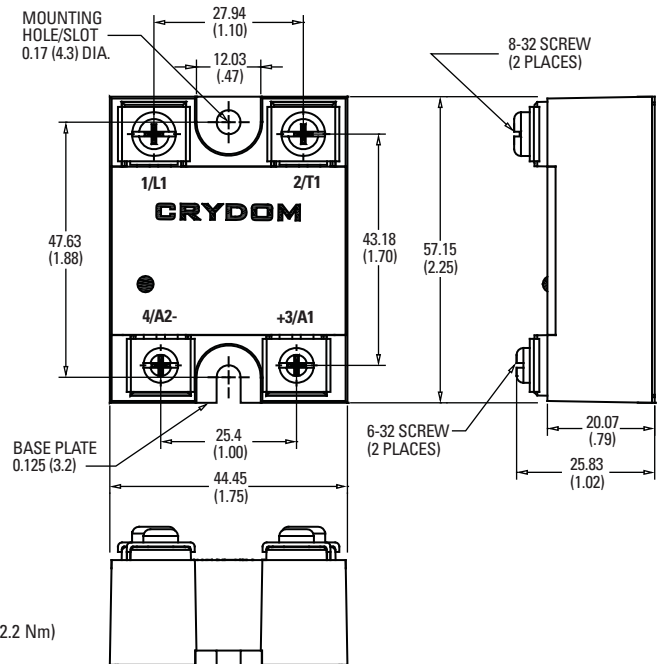
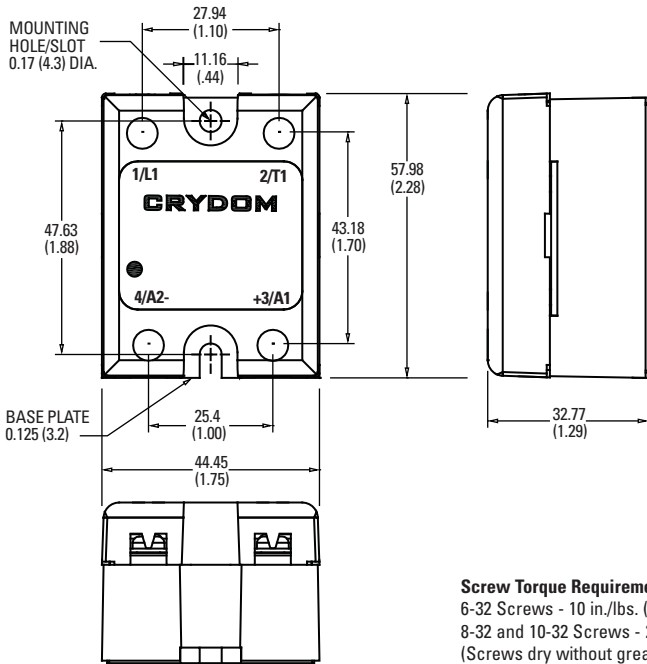
- ① All parameters at 25°C unless otherwise specified.
- ② Off-State dv/dt test method per EIA/NARM standard RS-443, paragraph 13.11.1
- ③ Heat sinking required.
- ④ Turn-on time for random turn-on version (R suffix) is 0.1ms

© 2007 CRYDOM Inc., Specifications subject to change without notice.

CURRENT DERATING CURVES



MECHANICAL SPECIFICATIONS



Screw Torque Requirements:
 6-32 Screws - 10 in./lbs. (1.1 Nm),
 8-32 and 10-32 Screws - 20in./lbs. (2.2 Nm)
 (Screws dry without grease.)

All dimensions are in inches (millimeters)

AVAILABLE OPTIONS

- R** Random Turn-On
Example: **XBP4025R**
- C** IP20 Cover
Example: **XBP4025C, XBP4025RC**

APPROVALS



ANNEX – ENVIRONMENTAL INFORMATION:

The environmental information disclosed in this annex including the EIP Pollution logo are in compliance with People's Republic of China Electronic Industry Standard SJ/T11364 – 2006, Marking for Control of Pollution Caused by Electronic Information Products.

Part Name	Toxic or hazardous Substance and Elements					
	Lead (Pb)	Mercury (Hg)	Cadmium (Cd)	Hexavalent Chromium (Cr (VI))	Polybrominated biphenyls (PBB)	Polybrominated diphenyl ethers (PBDE)
Semiconductor die	X	O	O	O	O	O
Solder	X	O	O	O	O	O

附件 - 环保信息:

此附件所标示的包括电子信息产品污染图标的环保信息符合中华人民共和国电子行业标准 **SJ/T11364 - 2006**, 电子信息产品污染控制标识要求

部件名称	有毒有害物质或元素					
	铅 (Pb)	汞 (Hg)	镉 (Cd)	六价铬 (Cr (VI))	多溴联苯 (PBB)	多溴二苯醚 (PBDE)
半导体芯片	X	O	O	O	O	O
焊接点	X	O	O	O	O	O

