

Installation Kit for frequency-control lifts WDGAS58B with shaft encoder



- Complete retrofit set
- Quickly and reliably fitted with the aid of the accessories
- Cost-effective modernisation solution
- TTL, HTL output
- Threads: M8, M10, M12, M16 und M20
www.wachendorff.de/wdgas58b-engl

The following installation kits are available for fitting the encoder to a frequency controlled lift. Every installation kit consists:
 1 x Encoder, 1 x Mountingangle, 1 x shielded cable 15 m length,
 1 x Paguflexcoupling, 1 x Shaftadapter

Mechanical Data

Housing

- Clamping flange: Aluminium
- Housing: Aluminium, powder coated
- Diameter: 58 mm

Shaft

- Material: stainless steel
- Diameter: 10 mm, H7
- Length: 20 mm
- Load on shaft end: max. 220 N radial
max. 120 N axial
- Starting torque: 1 Ncm

Bearings

- Type: 2 precision ball bearings
- Service life: 10⁹ revs. at 100% of full rated shaft load
10¹⁰ revs. at 40%
10¹¹ revs. at 20%

Operating speed:

8.000 rpm

Weight:

approx. 250 g

Connections:

SH8: radial connector, 8 pin

Operating temperature:

-20... +80°C

Storage temperature:

-30... +80°C

Encoder-Order No.:

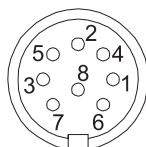
- WDG58B-YYYY-ABN-H24-SH8
 - YYYY: with 1024, 2048, 4096 PPR
 - 3 channels, A, B and zero marker pulse N
 - H24: 10 - 30 VDC HTL power supply
 - SH8: radial connector, 8 pin

- WDG58B-YYYY-ABN-R05-SH8
 - YYYY: with 1024, 2048, 4096 PPR
 - 6 channels, A, B and zero marker pulse N
 - 5 VDC TTL power supply with inv. output circuit
 - SH8: radial connector, 8 pin

YYYY: Please specify required PPR: 1024, 2048 oder 4096

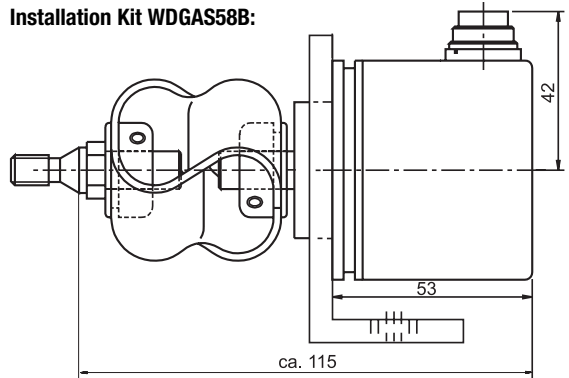
Pin identification SH8

Function	Pin HTL	Pin TTL
Positive	2	2
Negative	1	1
A	3	3
A inv.	-	6
B	4	4
B inv.	-	7
N	5	5
N inv.	-	8



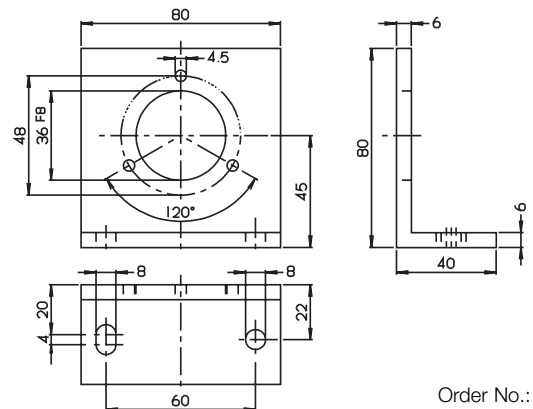
The view of the soldered side of the connector corresponds to the view of the pin arrangement on the encoder.

Installation Kit WDGAS58B:



Mounting bracket:

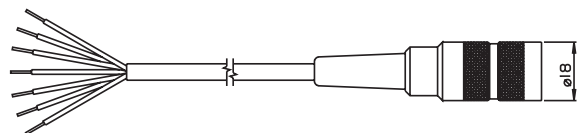
The mounting bracket makes for easy installation of the encoder in the lift system. However care should be taken that the admissible load of the coupling is adhered to.



Order No.: MW58B

Cable:

The cable is 15m in length and is shielded, however the shield is not connected to the connector housing. With a mated connector, the encoder meets protection class IP40.



The cable has a connection as follows:

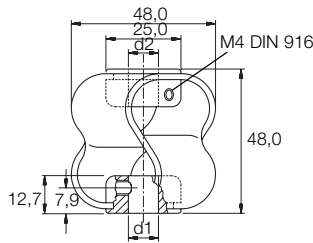
Function	Colour
Positive	brown
Negative	white
A	green
A inv.	red
B	yellow
B inv.	black
N	gray
N inv.	violet
Shield:	cable braiding

Order No.: KDSH84015

Paguflex coupling:

The Paguflex coupling serves to compensate for any mis-alignment between the drive and the encoder. The coupling has extremely high compensation capabilities.

- Features: excellent compensation capabilities
- Mis-alignment: axial: max. 7,5mm
radial: max. 3,5mm
angular: max. 15°
- Max. operating speed: 3.000 rpm.
- Starting torque: 1,3Nm
- Material:
- Hub: metal, anticorrosive
 - Compensating element: PUR
- Weight: 85 g
- Fixing: 2 xM4DIN 916
- Motor starting torque: 100 Ncm
- Operating temperature: -20°C to +80°C

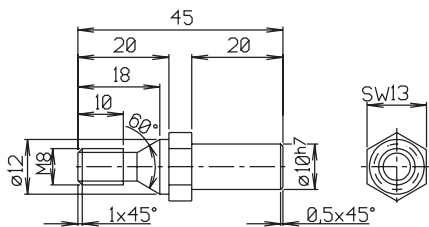


Order No.: PF481010

Shaft adapters

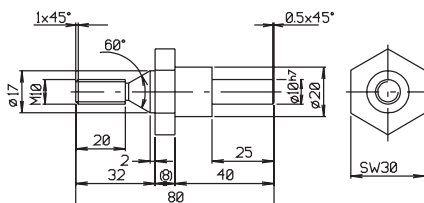
Shaft adapters:

The shaft adapters are screwed into an appropriate thread on the lift and allow a simple connection via the Paguflex coupling.



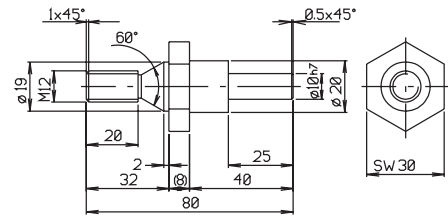
Shaft adapter M8

Order No.: WDGWA10M08



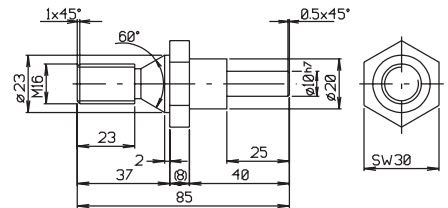
Shaft adapter M10

Order No.: WDGWA10M10



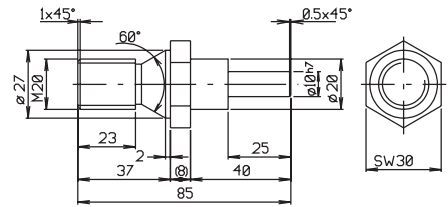
Shaft adapter M12

Order No.: WDGWA10M12



Shaft adapter M16

Order No.: WDGWA10M16



Shaft adapter M20

Order No.: WDGWA10M20

Note:

XX: Please insert the code corresponding to the required shaft adapter:

- Shaft adapter 10/M8: 08
- Shaft adapter 10/M10: 10
- Shaft adapter 10/M12: 12
- Shaft adapter 10/M16: 16
- Shaft adapter 10/M20: 20

YYYY: Please specify required PPR: 1024, 2048 oder 4096

Ordering Information WDGAS58B:

Description:	Order No.:
Installation Kit 10-30 VDC HTL comprising: - WDG58B-YYYY-ABN-H24-SH8 - YYYY: with 1024, 2048, 4096 PPR - 3 channels, A, B and zero marker pulse N - H24: 10 - 30 VDC power supply - SH8: radial connector, 8 pin - MW58B - KDSH84015: 15 m ready-made shielded cable - PF481010 - XX: Shaft adapter: 08, 10, 12, 16 or 20	WDGAS58BYYYYH24XX
Installation Kit 5 VDC TTL, RS422 comprising: - WDG58B-YYYY-ABN-R05-SH8 - YYYY: with 1024, 2048, 4096 PPR - 6 channels, A, B and zero marker pulse N - R05: 5 VDC TTL power supply with inv. output circuit - SH8: radial connector, 8 pin - MW58B - KDSH84015: 15 m ready-made shielded cable - PF481010 - XX: Shaft adapter: 08, 10, 12, 16 or 20	WDGAS58BYYYYR05XX