



## SENSOR SWITCH

Item.#	RBS02 Series	Description	TILT SWITCH	Version	V97.0
Page	1 of 5		Date	Sep. 30, 2008	

- APPLICATIONS

1. Horizontal Tilt Detecting: Digital Picture Frames
2. Vertical Rotation Detecting: Digital Camera
3. Shock Detecting: Tracing Equipment



- FEATURES

1. Miniature size, compact space, and innovation wing-typed terminal designed, making install space minimum above the print circuit board.
2. Special structures which increase strength between housing and base, offering perfect appearance.
3. Terminals and balls gold plated to enhance the life.
4. Suitable to IC trigger signal.
5. Complete replacement of mercury switch and meet with environmental protection.

- PATENTS

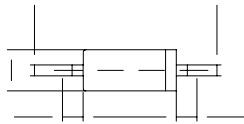
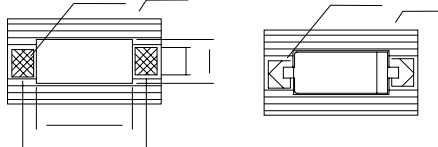
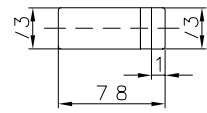
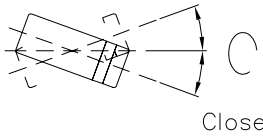
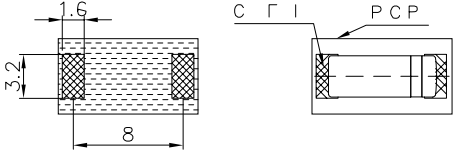
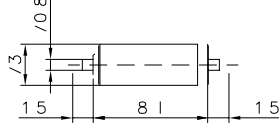
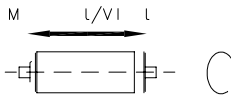
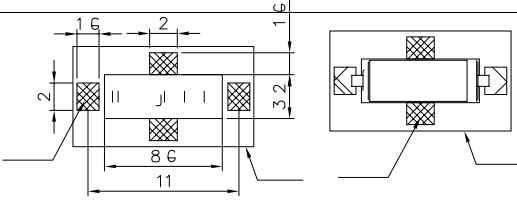
1. TAIWAN Patent NO. 168208
2. TAIWAN Patent NO. 195196



SENSOR SWITCH

Item.#	RBS02 Series	Description	TILT SWITCH	Version	V97.0
Page	2 of 5		Date	Sep. 30, 2008	

● DIMENSIONS / OPERATION / P.C.B. LAYOUT (Unit: mm, Tolerance: ±0.25mm)

<p>RBS 02 08 02</p> 	<p>θ θ -</p>	<p>Lavoul (SMT) / Top View</p> 
<p>RBS 02 09 02</p> 	<p>θ θ -</p>  <p>Close</p>	<p>P C B Lavoul (SMT) / Top View</p> 
<p>RBS 02 10 02</p> 	<p>Triggered By Vibration</p> 	<p>P C B Lavoul (SMT) / Top View</p> 



## SENSOR SWITCH

Item.#	RBS02 Series	Description	TILT SWITCH	Version	V97.0
Page	3 of 5		Date	Sep. 30, 2008	

## ● ELECTRICAL CHARACTERISTICS

1.	Contact Rating	25mA , 24VDC
2.	Contact Resistance	10Ω max.
3.	Differential Angle	Refer to the drawing
4.	Insulation Resistance	1000MΩ min. At 100 VDC
5.	Dielectric Strength	500 VDC min. for 1 minute
6.	Capacitance	5pF max

## ● MECHANICAL CHARACTERISTICS

1.	Temperature Range	Operating : -25°C to +85°C Storage : -40°C to +85°C
2.	Pull Force of Terminal	500 gf for 1 minute
3.	Operation Life	100,000 Cycles
4.	Conductive Rate (Switch-on Rate)	min. over 90%
5.	Humidity	95% RH, 40° C for 96 hrs.
6.	Solder ability	After flux 260±5°C for 5±0.5 seconds 95% coverage
7.	Reflow Soldering Heat for SMT type	Reflow zone 260±5°C for 20 seconds max.

## ● BILL OF MATERIAL

1.	Housing	Copper Alloy, Gold Plated over Nickel
2.	Isolation Base	Class-Fiber Liquid Crystal Polymer, UL 94-0
3.	Terminal	Copper Alloy, Gold Plated over Nickel
4.	Ball	Copper Alloy, Gold Plated over Nickel



## SENSOR SWITCH

Item.#	RBS02 Series	Description	TILT SWITCH	Version	V97.0
Page	4 of 5		Date	Sep. 30, 2008	

● PACKAGE (Minimum Order Quantity: One Bag / One Reel)

	Part Number	Package	Quantity	Total	Size
1.	RBS020802	PE Bag	2,000 pcs	2,000 pcs	12.7 x 17.8 (cm)
	RBS020902	Inner Box	10 Bags	20,000 pcs	36 x 20 x 9 (cm)
	RBS021002	Carton	3 Boxes	60,000 pcs	36 x 28 x 23 (cm)
2.	RBS020902T	Reel	2,500 pcs	2,500 pcs	Diameter=30 ; Width= 2.1 (cm)
		Inner Box	2 Reels	5,000 pcs	36 x 34 x 7 (cm)
		Carton(1)	4 Boxes	20,000 pcs	37 x 36 x 31 (cm)
		Carton(2)	10 Boxes	50,000 pcs	70 x 36 x 38 (cm)

● NOTE

1. Suggestion for Application: Application in occasions that require vibration functions, adding design of "ON DELAY" is recommended. For great vibration, Optical type products are recommended.
2. Suggestion Contact Rating: 5 mA.
3. Conductive Rate: To test the conductivity (Switch-on Rate) of one switch individually for 100 times, if the switch conductive 95 times, we call the "conductive rate" is 95%.
4. For the continued product improvement as one of the company policy, specifications may change or update without notice. The latest information can be obtained through our sales offices. Normally, all products are supplied under our standard conditions.

● PRECAUTIONS FOR USE

1. The product is used mainly in electronic devices such as automotive devices, visual devices, home electrical appliances, information devices and communication settings. If the products is intended to be used for other endurance equipments requiring higher safety and reliability such as life support system, space and aviations devices, disaster and safety system, it's necessary to make verification of conformity or contact us for the details before using.

JIN ZON ENTERPRISE CO., LTD.

駿融企業有限公司



## SENSOR SWITCH

Item.#	RBS02 Series	Description	TILT SWITCH	Version	V97.0
Page	5 of 5		Date	Sep. 30, 2008	

2. Don't try to clean the switch with a solvent or similar substance after the soldering process.
3. The switch might be damaged if using the water-soluble flux.
4. The switch might be apart if the soldering condition over specification.
5. Don't use the switch in the environment with high humidity or other bedewing possibility, as it may cause leaking among the terminals.
6. It might catch fire if the rating exceeds the specifications. Never use the switch beyond the rating.