

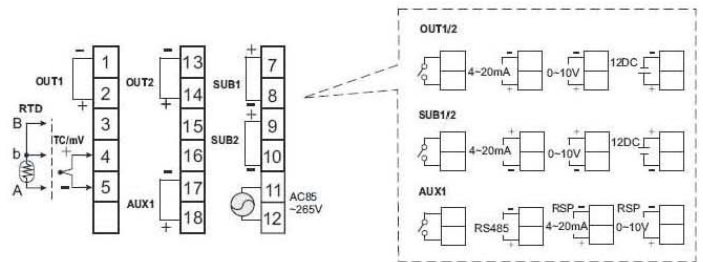
JPT-8 Series Microprocessor

NEW

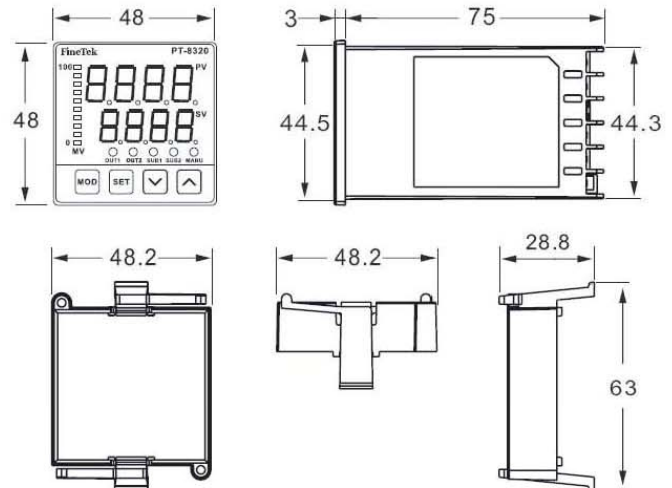
Temperature Controller Meters



Drawing for Terminal



Product Dimension



Product Feature

- Operation Power Supply: 85-265Vac Universal Power.
- Dual 4 digits LED display, user friendly.
- Bargraphic display for Output Value.
- Variety of Input Signal Available: T/C, 230mA, 0-10Vdc, 4-20mA.
- 9 types of Alarm Modes available for selection.
- Alarm for breaking down heater as a protection.
- CT display and setting for heating system. Star up function for Alarm.
- Manual operation for Output value available.
- Control Output (Relay, analogues, pulse voltage output etc.)
- Auxiliary Output Contacts for extending products' functions.
- Analogue Output to re-transmit for remote display.
- Lockable category function for convenient management
- SV Remote setting function.
- Software Filter Function for increasing the stability of the meter.
- Editable PT83XX-P Series for 8 types of control modes; each mode can set at 8 segments of temperature raising and maintenance through connecting to 64 types of control modes.

Description of Panel

- ① Measured Value (PV) display
- ② Set Value (SV) display
- ③ Indicator for Manual Operation
- ④ Indicator for Output
- ⑤ "UP" key
- ⑥ "DOWN" key
- ⑦ Set key
- ⑧ MOD key
- ⑨ Bargraph indicator



JIN ZON ENTERPRISE CO., LTD.

4F-3, No. 171, Sec. 2, Chang An E. Rd., Taipei, Taiwan, R. O. C.

TEL: 886-2-27111093~5 FAX: 886-2-27310902

E-mail: jinzon@ms2.hinet.net Http:// www.jinzon.com.tw/

