

# JHS-16A Series



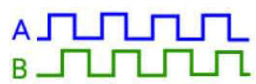
## Application

- Industry Machine
- Robot

## Feature

- Miniature Type
- Hollow Dia  $\phi$ 1.5mm
- Low Cost
- Compact size easy assembly

## Electrical

Detection System	Incremental
Power Source	DC 5V
Current Consumption	< 25 mA
Response Frequency	30 KHz
Output Voltag	VoH: Vcc - 0.7V, VoL: 0.4V
Output Phase	A, B
Output Wave Form	
Output Mode	Voltage Output Open Collector

## Resolution

50, 100, 120 P/R

## Mechanical Spec.

Shaft Diameter	$\Phi$ 1.5mm
Max. R.P.M.	7200
Net Weight	5g

## Connection

Red	Black	White
+	-	A
Green		
B		

## Environmental Spec.

Operating Temp.	-20 ~ +85°C
Storage Temp.	-40 ~ +85°C
Operating Humidity	RH 85% max non-collecting
Protection	IP 40

## Ordering Information

JHS16- **Bore Diameter** - **Resolution P/R** - **Output Mode** - **Output Phase** - **Power Source**  
 1.5:  $\Phi$ 1.5mm      50, 100, 120      O: Open Collector      2: A, B phase      5: DC 5V  
 V: Voltage output



**JIN ZON ENTERPRISE CO., LTD.**

TEL:886-2-2711-1093~5 FAX:886-2-2731-0902 ,2776-4624

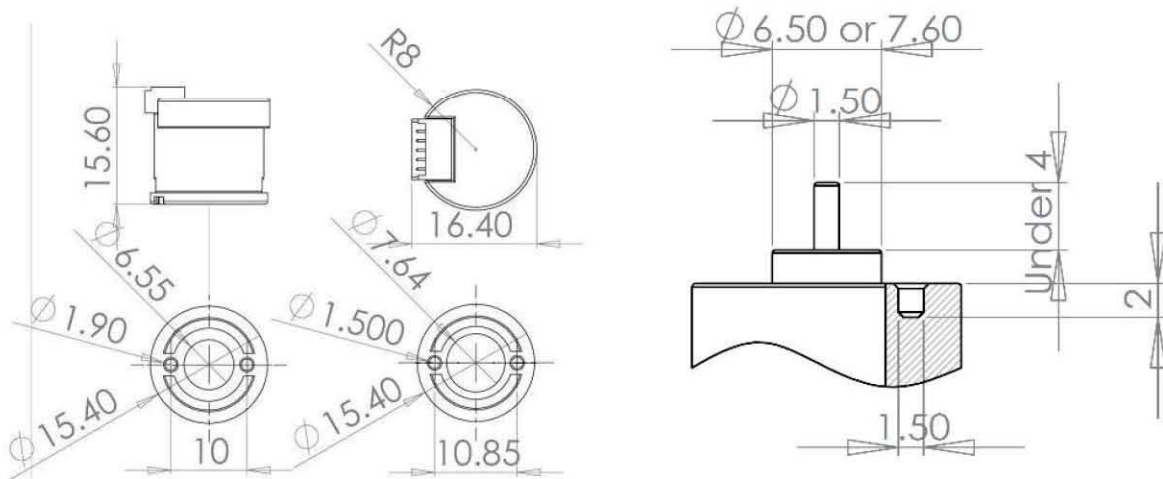
Address : 4F-3. No.171. Sec.2. Chang An E. Rd. Taipei. Taiwan. R.O.C.

TUV

# JHS-16A Series

## Mechanical Drawing

Unit: mm



TUV

**JIN ZON ENTERPRISE CO., LTD.**

TEL:886-2-2711-1093~5 FAX:886-2-2731-0902 ,2776-4624

Address : 4F-3. No.171. Sec.2. Chang An E. Rd. Taipei. Taiwan. R.O.C.