

JHS302C



Feature

- Dustproof
- Two Channel Quadrature Output with Index Pulse
- Low Cost
- Easy to Mount
- No Signal Adjustment required
- Small Size
- TTL Compatible
- Single 5V Supply

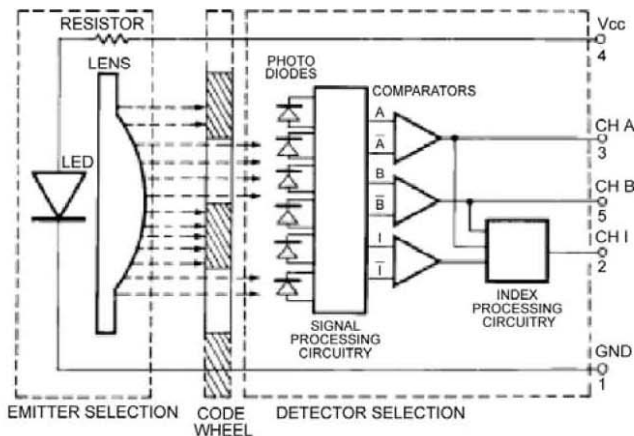
Absolute Maximum Ratings

Operating / Storage Temp.	-40 ~ +100°C
Supply Voltage	4.5 ~ 5.5V
Output Voltage	VoH: $V_{cc} - 0.7V$, VoL: 0.4V
Output Current per Channel	10mA
Response Frequency	100 KHz

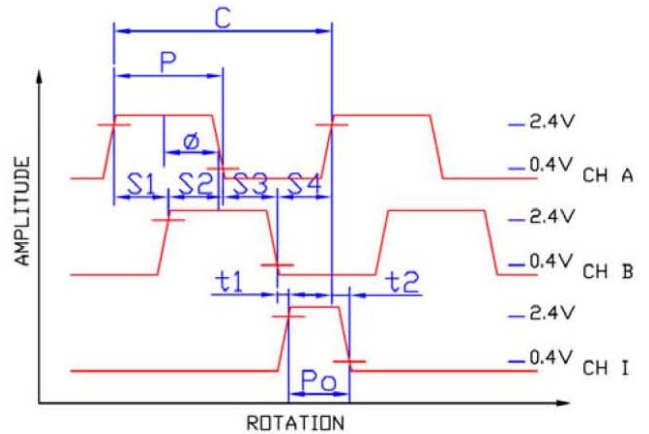
Resolution

50, 96, 100, 200, 256, 360, 400, 500, 512
P/R

Block Diagram



Output Waveform



JIN ZON ENTERPRISE CO., LTD.

TEL:886-2-2711-1093~5 FAX:886-2-2731-0902 ,2776-4624

Address : 4F-3. No.171. Sec.2. Chang An E. Rd. Taipei. Taiwan. R.O.C.

JHS302C

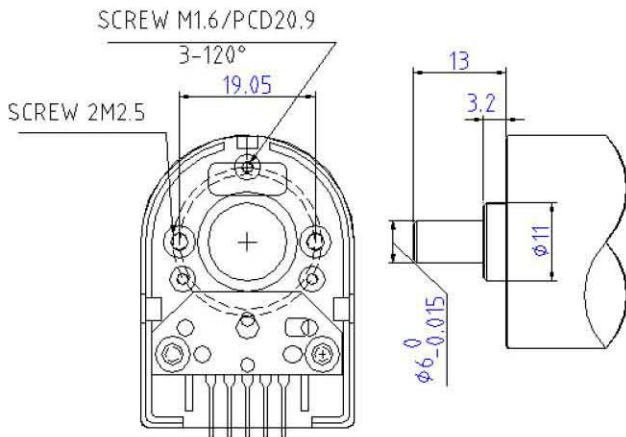
Ordering Information

JHS302C - - -

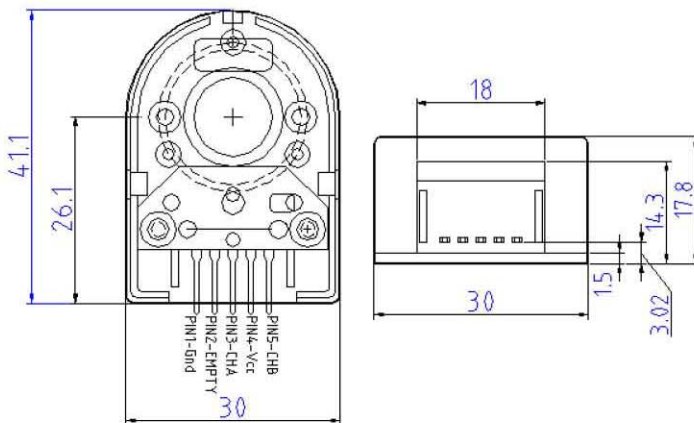
Resolution	Temperature	Shaft Diameter	Hub
50: 50 CPR	P: -40°C ~ 80°C	4: 4mm	A: aluminum
100: 100 CPR	C: -40°C ~ 100°C	5: 5mm	P: plastic
200: 200 CPR		6: 6mm*	(push-on-hub)
256: 256 CPR		6.35: 6.35mm (1/4")*	
360: 360 CPR		8: 8mm	
400: 400 CPR			
500: 500 CPR			
512: 512 CPR			

* Only 6mm, 6.35mm with push-on-hub option.

Mounting Considerations (Unit: mm)



Package Dimension (Unit: mm)



TUV

JIN ZON ENTERPRISE CO., LTD.

TEL:886-2-2711-1093~5 FAX:886-2-2731-0902 ,2776-4624

Address : 4F-3. No.171. Sec.2. Chang An E. Rd. Taipei. Taiwan. R.O.C.