

JHS301



Feature

- Two Channel Quadrature Output
- Easy Mounting
- Low Cost
- Compact Size
- TTL Compatible
- Single 5V DC Supply

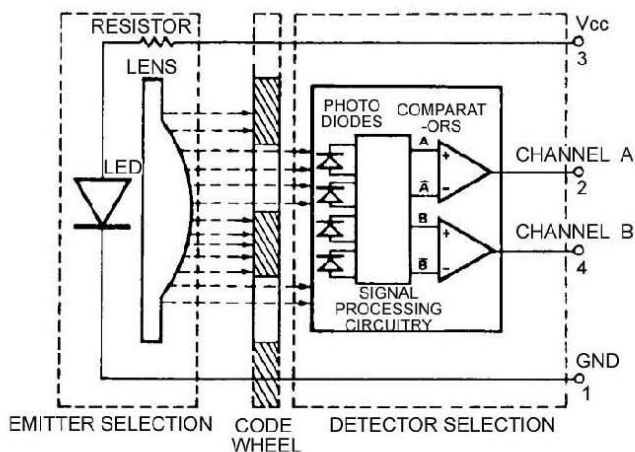
Absolute Maximum Ratings

Operating / Storage Temp.	-40 ~ +100°C
Supply Voltage	4.5 ~ 5.5V
Output Voltage	VoH: $V_{cc} - 0.7V$, VoL: 0.4V
Output Current per Channel	10mA
Response Frequency	30kHz

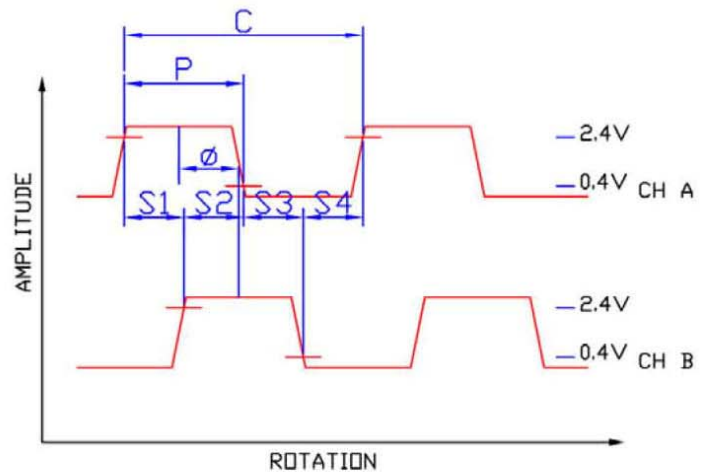
Resolution

96, 100, 192, 200, 256, 360, 400, 500, 512
P/R

Block Diagram



Output Waveform



JIN ZON ENTERPRISE CO., LTD.

TEL:886-2-2711-1093~5 FAX:886-2-2731-0902 ,2776-4624

Address : 4F-3. No.171. Sec.2. Chang An E. Rd. Taipei. Taiwan. R.O.C.

JHS301

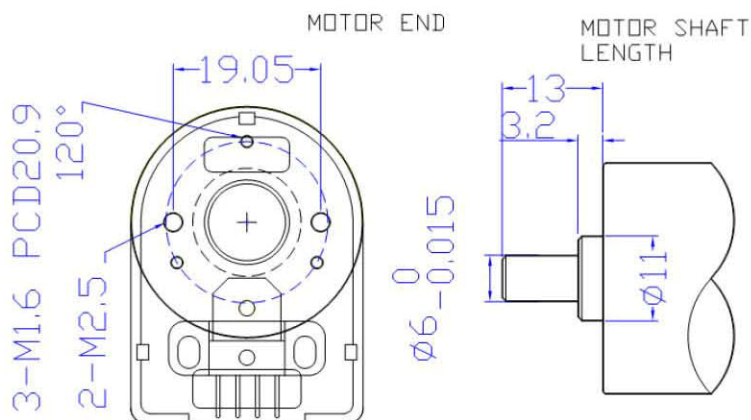
Ordering Information

JHS301 - - -

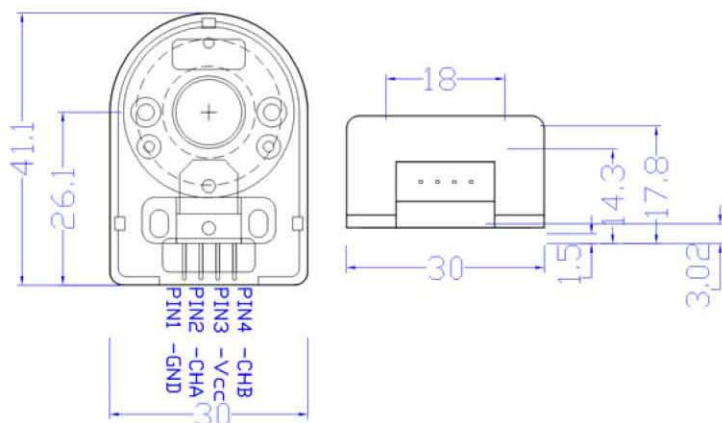
Resolution	Temperature	Shaft Diameter	Hub
96: 96 CPR	P: - 40°C ~ 80°C	4: 4mm	A: aluminum
100: 100 CPR	C: -40°C ~ 100°C	5: 5mm	P: plastic (push-on-hub)
192: 192 CPR		6: 6mm*	
200: 200 CPR		6.35: 6.35mm (1/4")*	
256: 256 CPR		8: 8mm	
360: 360 CPR			
400: 400 CPR			
500: 500 CPR			
512: 512 CPR			

*Only 6mm, 6.35mm with push-on-hub option.

Mounting Considerations (Unit: mm)



Package Dimension (Unit: mm)



TUV

JIN ZON ENTERPRISE CO., LTD.

TEL:886-2-2711-1093~5 FAX:886-2-2731-0902 ,2776-4624

Address : 4F-3. No.171. Sec.2. Chang An E. Rd. Taipei. Taiwan. R.O.C.