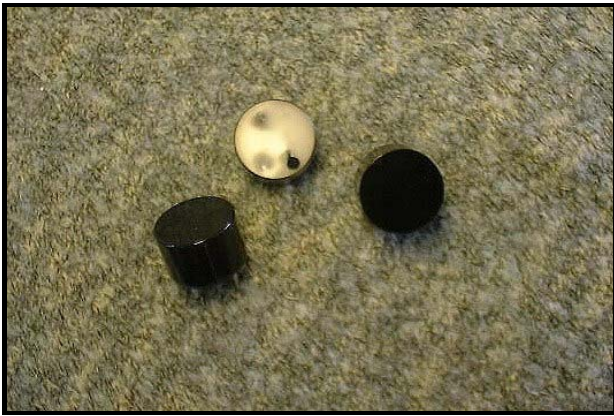


駿融企業有限公司 JIN ZON ENTERPRISE CO., LTD.
 104 台北市長安東路二段 171 號 4 樓之 3
 4F-3, No. 171, Sec. 2, Chang An E. Rd., Taipei, Taiwan, R. O. C.
 TEL: 886-2-27111093~5 FAX: 886-2-27310902
 E-mail: iinzon@ms2.hinet.net [Http://www.iinzon.com.tw/](http://www.iinzon.com.tw/)

Photo:



The specifications describe the ultrasonic transducer

PARTS NUMBER	J40T-18E	J40R-18E
Center frequency (KHz)	40.0±1.0	
Sound pressure level (dB)	115(min)	-----
Sensitivity (dB)	-----	-70(min)
Angle of major lobe	65°	
Directivity deg (-6dB)	40°	
Max driving voltage (V)	20	
Working temperature (°C)	-30~80	
Case/ color	Aluminum/black	

..Sound Pressure Level:0 dB v.s. 0.0002μ bar measured at 10Vrms,30cm distance.

..Sensitivity: 0 dB v.s. 1V/μ bar

..

OUTLINE DIMENSION:

A=18.0±0.5

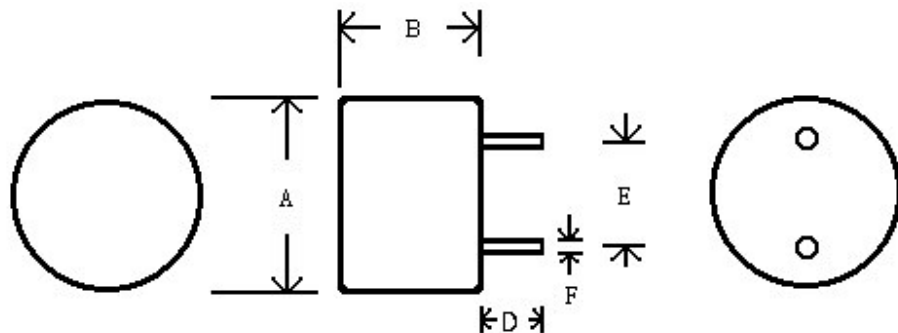
B=12.0±0.5

D=9.0±1.0

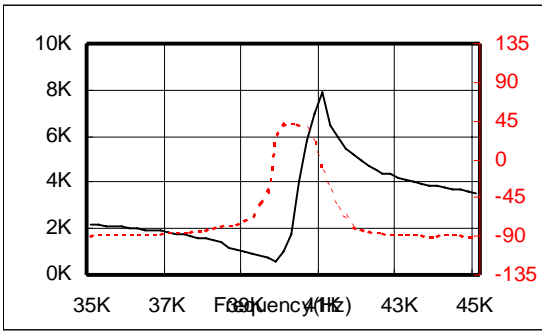
E=10.0±1.0

F=1.0±0.1

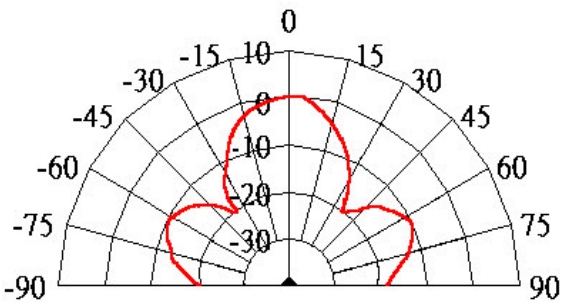
Unit: mm



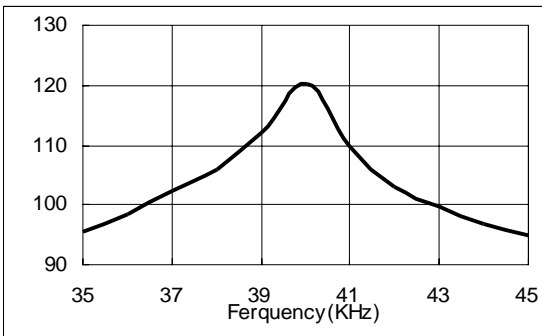
Impedance /Phase Angle VS Frequency



Directivity



Sound Pressure Level VS Frequency



Sensitivity VS Frequency

