

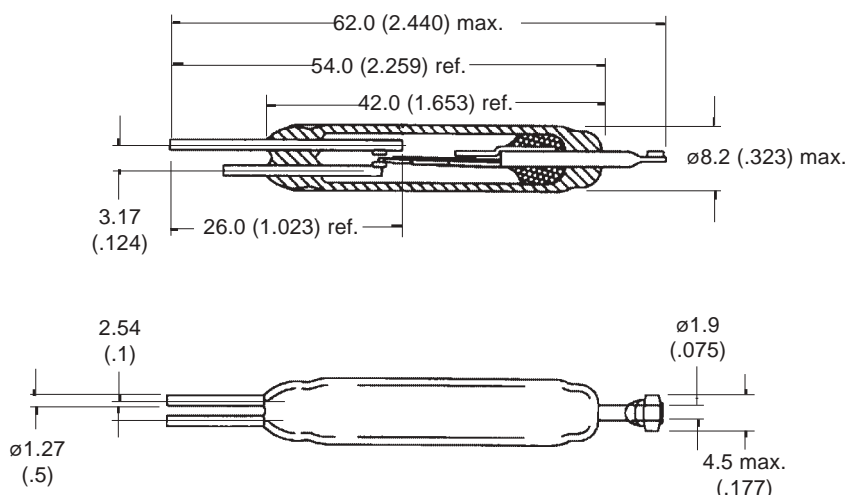
Comus Group of Companies

PRODUCT DATA SHEET



NOTE: Vertical mounted
required
(±30° from vertical)

Drawings not to scale
All dimensions in mm (inches) nominal



CONTACT RATING	Conditions	Symbol	Min.	Typ.	Max.	Units
SWITCHING VOLTAGE	DC / Peak AC Resistive	V_L			500	Volts
SWITCHING CURRENT	DC / Peak AC Resistive	I_L			5	Amps
CARRY CURRENT (24 h)	DC / Peak AC Resistive	I_C			10	Amps
CONTACT RATING	DC / Peak AC Resistive				250	Watts
OPERATING FREQUENCY		f			80	Hz
LIFE EXPECTANCY	1.0V 10mA 50V,1A 500V, 100mA		1000 5 50			$\times 10^6$ Ops $\times 10^6$ Ops $\times 10^6$ Ops
OPERATE AT RANGE	See note 1		120		180	AT
RELEASE AT RANGE	See note 1		30			AT
INSULATION RESISTANCE	500V, 25°C 40% RH		107			Ω
CAPACITANCE	Across Open Contacts			2		pF
DIELECTRIC STRENGTH	Between Contacts	I/O	2500			VAC
OPERATE TIME	1.5 times Operate at 20 HZ Sq. Wave 50% DC	T_{OP}			7	msec.
RELEASE TIME	Zener-Diode Suppression	T_{rel}			6	msec.
BRIDGING TIME			150		900	μ sec
DRAIN TIME					15	sec
STATIC CONTACT RESISTANCE	50mV, 10mA	CR			30	m Ω
CONTACT MATERIAL				Hg		
Hg CONTENT				3		g
STORAGE TEMPERATURE		T_A	-40		+125	°C
OPERATING TEMPERATURE		T_O	-38		+125	°C
SOLDERING TEMPERATURE	<10 sec at 260°C			+260		°C
VIBRATION RESISTANCE (Survival)	10 Hz - 500 Hz	G			10	g
SHOCK RESISTANCE (Survival)	11 ± 1ms, 1/2 Sine Wave	S			30	g
WEIGHT					3.8	grams

Unless advised otherwise all
specifications are maximum and
measured at 25 Deg C.

NOTE: Measured in testcoil NARM
1 or EN119000-03/ Gap position in
coil 2mm below centre.

Operate value has a ±2 AT
tolerance.

Ordering Information
PART NUMBER HG 07 120 180

REED SWITCH - High Power 1 f D wetted switch

PART NUMBER
HG.07.120.180

Rev. No.	Revision Note	Date	Signature
B	Web Site 2000	1-4-02	RG

The Comus Group of Companies
consist of:
Assemtech Europe Limited
E. Bachem GmbH
Comus International
W. Gunther GmbH
Gunther Belgium
Gunther France
S.T.G.

As part of the company policy of continued product improvement, specifications may change without notice. Our sales office will be pleased to help you with the latest information on this product range and details of our full design and manufacturing service. All products are supplied to our standard conditions of sale otherwise agreed in writing.