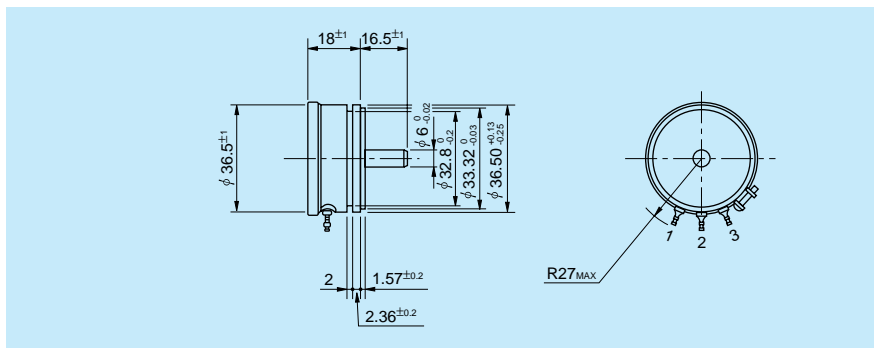




● Standard Dimensions



● General Specifications

Standard Resistance Values:	1k, 2k, 5k, 10k (Ω)	Contact Resistance Variation:	Below 2% C.R.V.
Special Practical Resistance Values:	500, 20k, 50k, 100k, 200k (Ω)	Power Rating:	2.0W
Total Resistance Tolerance:	Standard Class $\pm 10\%$ (K)	Electrical Travel:	$340^\circ \pm 5^\circ$
Independent Linearity Tolerance:	Standard Class $\pm 0.5\%$ Precision Class $\pm 0.25\%$ Super Precision Class $\pm 0.1\%$	Mechanical Travel:	360° (Endless)
Resolution:	Essentially infinite	Insulation Resistance:	Over 1,000M Ω at 1,000V.D.C.
Output Smoothness:	Below 0.1% against input voltage	Dielectric Strength:	1 minute at 1,000V.A.C.
		Starting Torque:	Below 3mN•m (30gf•cm)
		Resistance Temperature Coefficient:	± 400 p.p.m./ $^\circ\text{C}$
		Mass:	Approx. 60g

● Special Specifications Available

Extra taps (Available up to 3 taps), Multi-ganged (Available up to 7 gangs, Housing length is extended by 12mm per 1 gang), Shaft with front and rear extension (Rear shaft with 6mm dia. and 15mm length), With stopper (Rotating angle becomes 320° and stopper strength is 0.9N•m [9kgf•cm]), Special electrical travel, Shaft dia. ($\varnothing 6.35$ mm) with inch dimensions, Special machining on the shaft.



● Standard Dimensions

