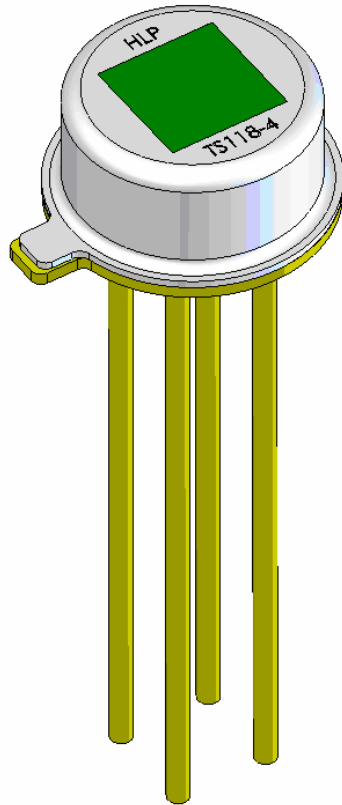


The TS118-4 is a thermopile sensor for use in contactless temperature measurement

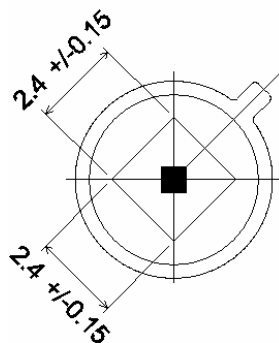
Thermopiles are mainly used for contactless temperature measurement in many applications. Their function is to transfer the heat radiation emitted from the objects into voltage output. Major applications are appliances like microwave oven, clothes dryer, automatic cooking, medical devices like ear and forehead thermometer, automotive applications like car climate control, seat occupancy, blind spot alert, black ice detection, consumer products like printer, copier, mobile phone and many industry applications like paper web, plastic parts etc.



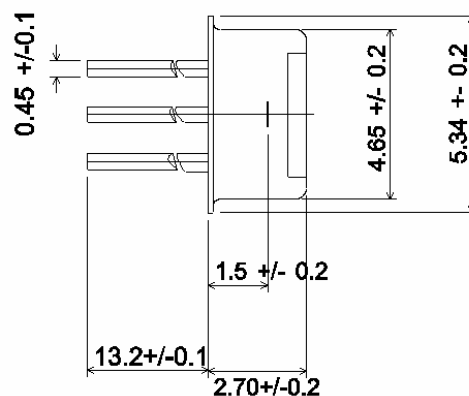
Parameter	Typical	Condition
Package	TO-18	
Absorber Area	0.7×0.7 mm ²	
Resistance of Thermopile	43±8 kΩ	+25 °C
TC of Resistance	-0.06±0.04 %/K	+25 °C → +75 °C
Thermopile Voltage	4.4±1.1 mV	+25 °C, BB +100 °C, DC totally filled field of view
TC of sensitivity	-0.45±0.08 %/K	+25 °C → +75 °C
Noise Equivalent Voltage	30 nV/Hz ^{1/2}	+25 °C
Rise Time	20±5 ms	τ ₆₃
Field of View	120°	
Filter	8-14 μm	band pass
Operation Temperature	-20 ... +85 °C	
Operation Temperature	-20 ... +100 °C	non permanent
Ambient Temperature Sensor	--	
Connections		
Pin 1	TP +	
Pin 2	--	
Pin 3	TP -	
Pin 4	GND	

Mechanical Dimensions

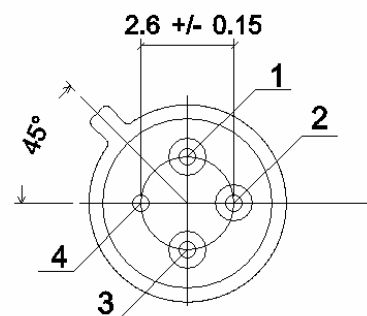
TOP VIEW



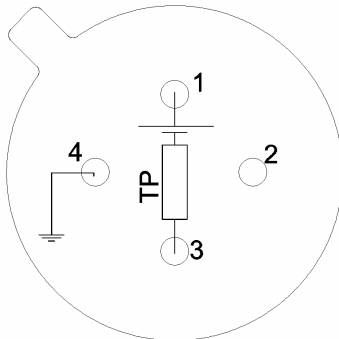
SIDE VIEW



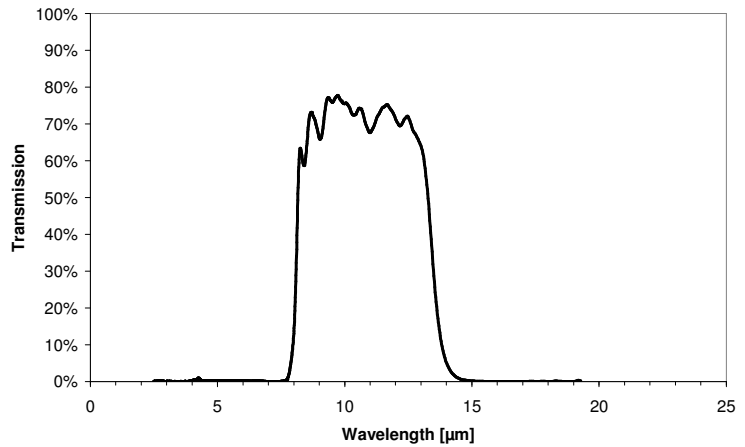
BOTTOM VIEW



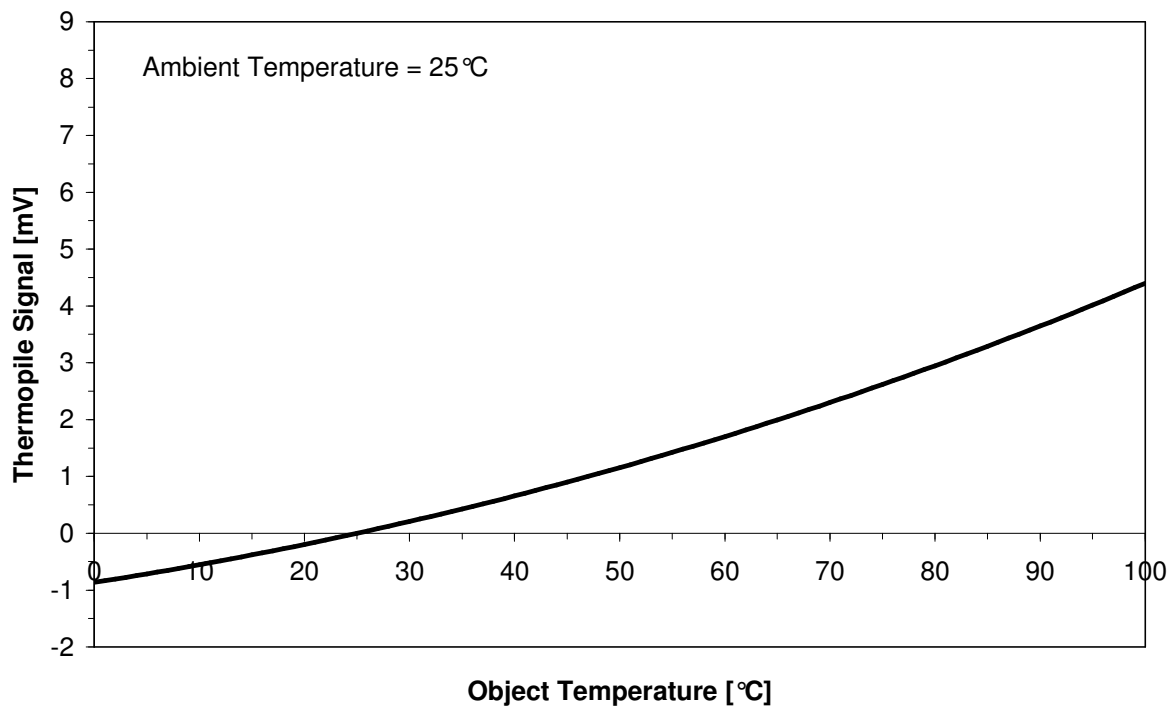
Connections Bottom View



Filter Transmission



Thermopile Signal



Additional products with different filters and packages are also available. Specifications are subject to change without notice !

Temperature Products Group

Design/Sales Europe	Ballybrit Business Park	Galway, Ireland	+353 91 753238	www.betatherm.com
Sales North America	910 Turnpike Road	Shrewsbury, MA 01545	+508 8420516	www.betatherm.com
Design Centre North America	2670 Indian Ripple Rd.	Dayton, OH 45440	+937 4271231	www.meas-spec.com
Design/Sales Europe	Hauert 13, D-44227	Dortmund, Germany	+49 23197400	www.hlplanar.com
Measurement Specialties	1000 Lucas Way	Hampton, VA23666	+757 7664297	www.meas-spec.com