

CF Series

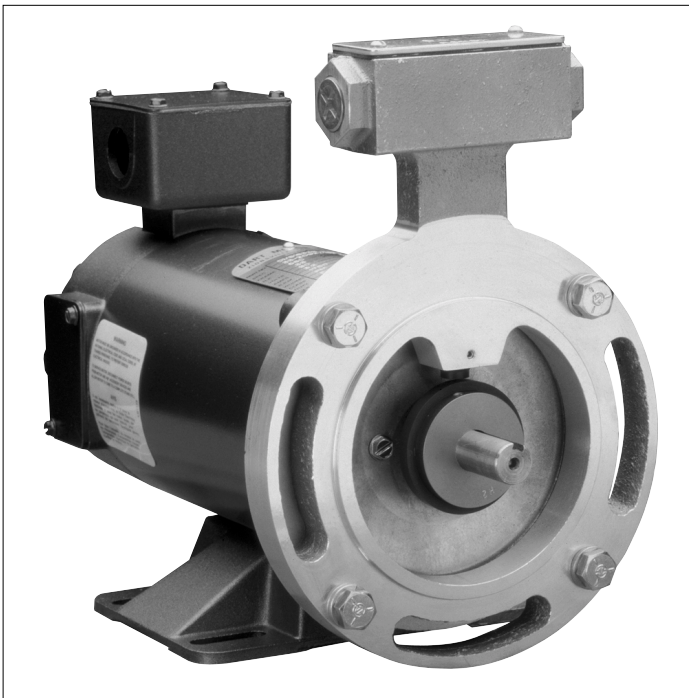
Hall-Effect Pick-up Kit

Dart Controls, Inc.

The CF SERIES pick-up kit can be used in place of the PUE or OPU series to monitor motor speeds when access to the motor shaft is otherwise impossible.

The CF series mounts directly to a motor's, NEMA "C" face. It operates at a 4.5 to 24 volt level producing a square wave output which may be used with Dart's tachometers, closed loop controls, or other digital devices.

CF SERIES



STANDARD FEATURES

- Complete kit consists of motor face ring, sensor, mounting bolts and sensing disk.
- Molded sensing disk, impervious to dust, oil and water.
- Output connections: 3 wires.
- Supply voltage: +4.5 to 24 VDC.
- Output: NPN square wave capable of sinking 20mA D.C.
- Operating temperature: -40°C to 125°C.

CF SERIES SELECTION GUIDE

Model Number	Disk Only	Frame Size	Pulses Per Revolution	Maximum Air Gap
CF-H1	-H1	56C	1	.250"
CF-H2	-H2	56C	2	.180"
CF-H15	-H15	56C	15	.125"
CF-H60	-H60	56C	60	.010"
CF-J1	-J1	*	1	.250"
CF-J2	-J2	*	2	.180"
CF-J15	-J15	*	15	.125"
CF-J60	-J60	*	60	.010"

* Frame sizes 143TC, 145TC, 182C, 184C

DIMENSIONAL SPECIFICATIONS

