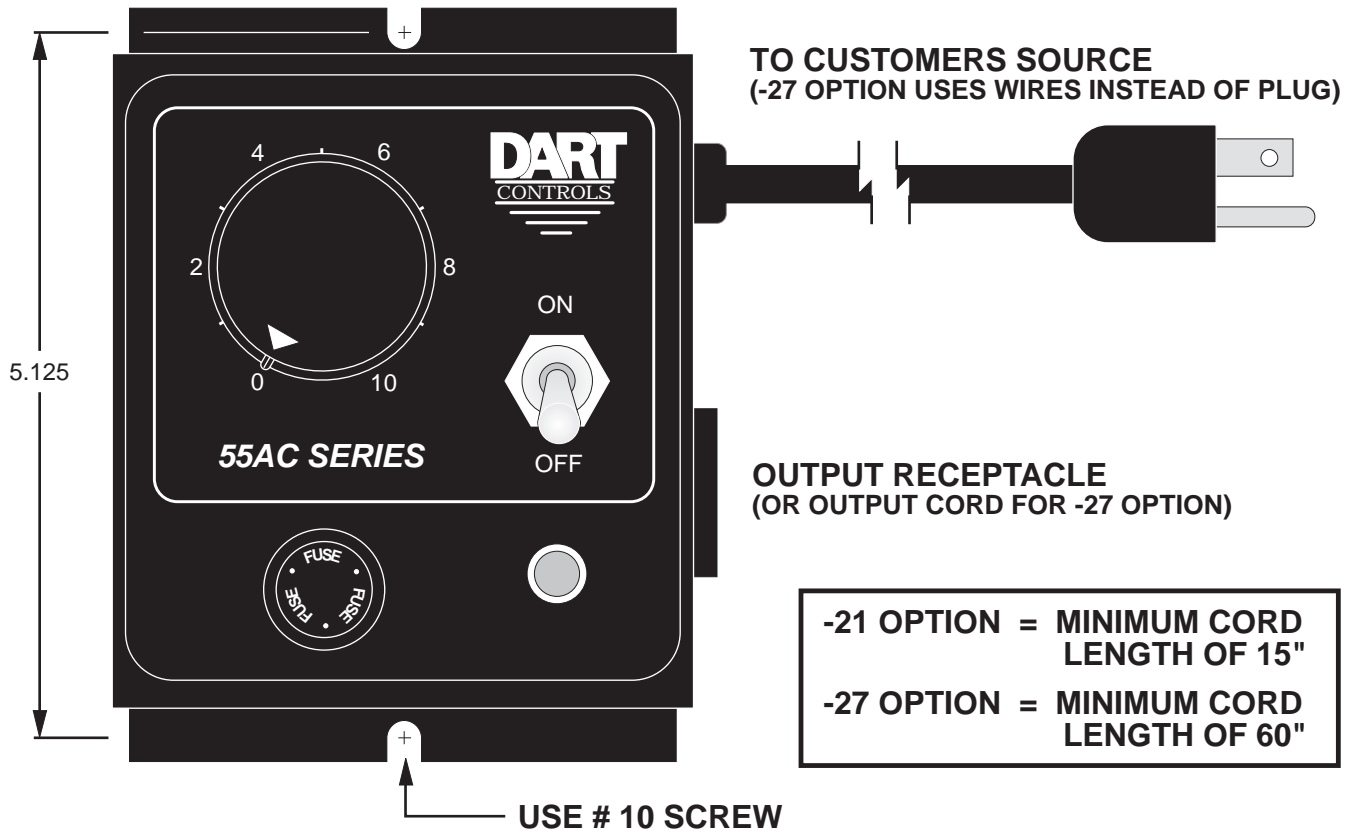
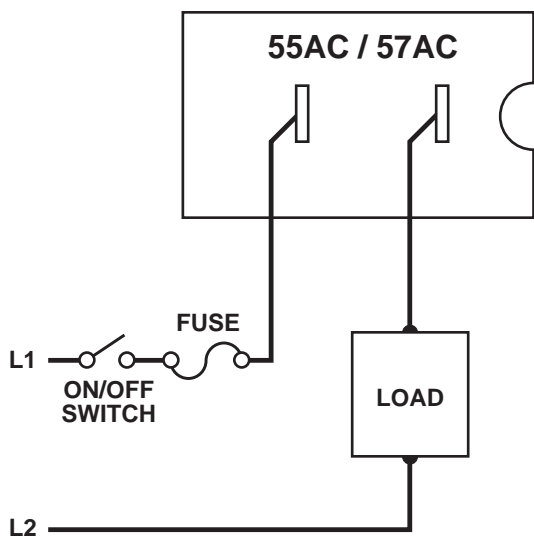


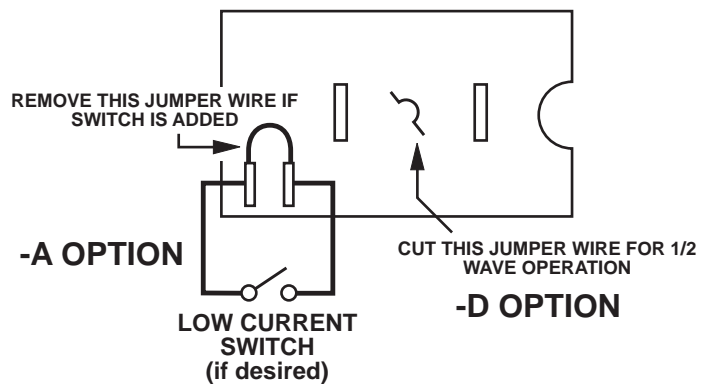
## 55AC SERIES ENCLOSED MODELS



## 55AC SERIES CHASSIS MODELS



NOTE: FOR 55AC-A, USE HOOK-UP DIAGRAM TO LEFT IN CONJUNCTION WITH THE INSTRUCTIONS SHOWN BELOW.



NOTE:  
 The 55 Series is designed to work with shaded pole, permanent split capacitor, permanent split-phase, universal motors or any resistive load. It is not designed for capacitor start motors.