

DURAKOOL Series 2M30, 3M30 30 Amps

These Durakool contactors are especially designed for motor control circuits. They are UL rated for 240 volts, 3-phase motor applications. These 30 Amp contactors are ruggedly constructed to provide reliable, quiet operation over many switching cycles. With the same footprint as a DP mechanical contactor, they are a practical replacement, especially in hostile environments where their hermetic seal makes them immune to dust, dirt, and oil. All terminal screws face forward for easy installation.

SPECIFICATIONS

(see pages 3-5 for other specifications)

Maximum Time:	Operate	Release
	50 ms, Max.	70 ms, Max.
Contact Bounce, Release:	None	
Recommended		
DC Load Polarity:	Top Connection Negative	
Breakdown Voltage:		
Contact to Ground:	5000 VRMS/Min.	
Weight:	2.0 lbs.	



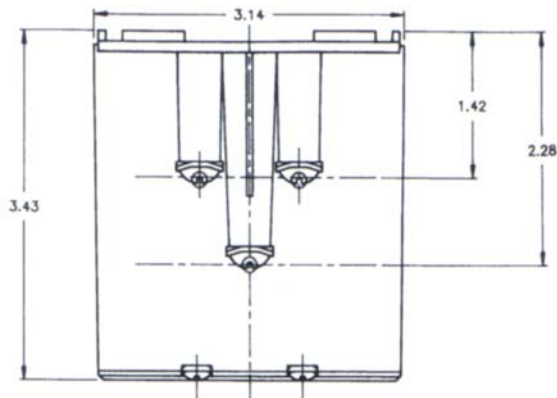
3 Pole Normally Open	24	120	208	208	240	240	277	480	12 (DC)	24 (DC)	3M30APS24AC	13.8	4.60	0.510	12.24
											3M30APS120AC	340	4.80	0.106	12.72
											3M30APS208AC	1251	4.98	0.055	11.44
											3M30APS208ACDV	1251	4.98	0.055	11.44
												1251	6.50	0.062	14.88
											3M30APS240AC	1420	4.80	0.062	12.48
											3M30APS277AC	1730	4.70	0.044	12.19
											3M30APS480AC	5700	5.26	0.025	12.00
											3M30APS12DC	24.5	5.80	0.489	5.87
											3M30APS24DC	96	6.00	0.250	6.00

ELECTRICAL RATINGS	60 Hz					DC	
	Volts	120	208	240	277	480	48
Resistive		30	30	30	30	30	30
General Purpose		30	30	30	20	20	—
Motor Load (Hp) 3-pole		1.5	1.5	3.0	3.0	3.0	—
Full Load Amps		—	—	14.8	—	—	—
Locked Rotor Amps		—	—	89.0	—	—	—

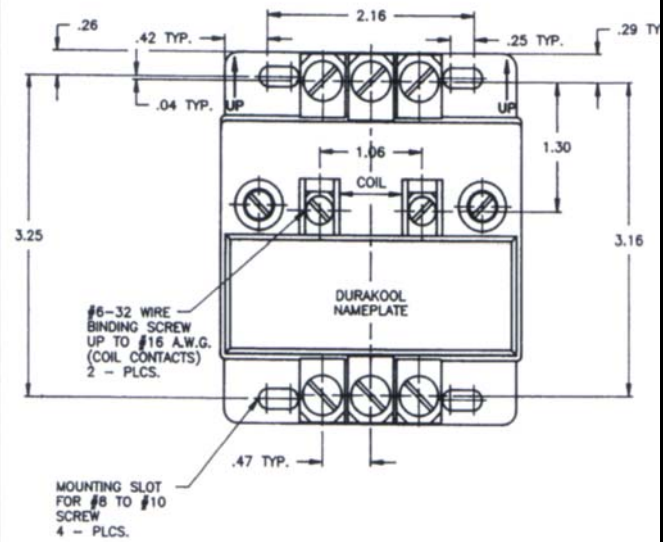
DURAKOOL

Series 2M30, 3M30 30 Amps

TOP VIEW



FRONT VIEW



SIDE VIEW

