

DURAKOOL Series 60APS 60 Amps

The Durakool 60 Amp high performance contactor (normally open) is designed for resistive loads typical in industrial ovens, food processing and laboratory equipment, lighting and computer power supplies, plus medical and communications equipment.

The 60 Amp contactor is UL/CSA listed for general purpose, inductive, and tungsten, as well as resistive loads. The contactor features long life, quiet operation, and rapid on/off cycling. Since it is hermetically sealed, it is a practical replacement, especially in hostile environments.

SPECIFICATIONS

(see pages 3-5 for other specifications)

Maximum Time:	Operate	Release
	70 ms, Max.	90 ms, Max.
Contact Bounce:	None	
Recommended		
DC Load Polarity:	Top Connection Negative	
Breakdown Voltage:		
Contact to Contact:	2000 VRMS/Min.	
Contact to Ground:	5000 VRMS/Min.	



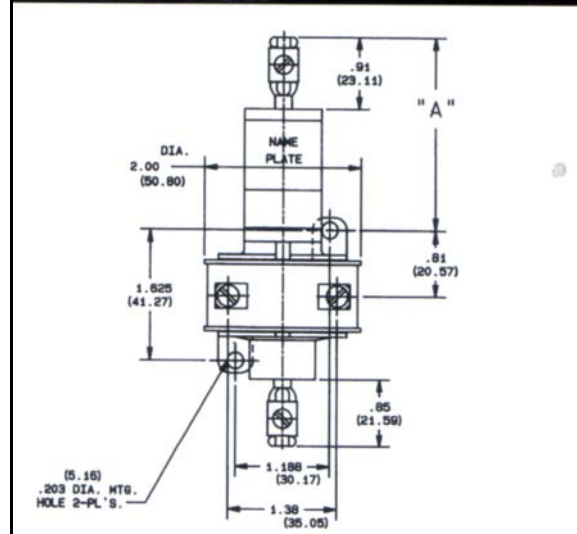
1 POLE
Weight 1.0 lbs.

TYPE/SERIES		60APS 60 Amps		Typical Coil Data			
DESCRIPTION		Part Number	DC Ohms	Watts	Amps	V.A.	
1 Pole (Normally Open)	Volts						
	24	I060APS24AC	40	2.60	0.235	5.64	
	120	I060APS120AC	902	3.47	0.055	6.60	
	240	I060APS240AC	3700	3.40	0.026	6.24	
	480	I060APS480AC	15000	3.54	0.012	5.76	
	12 (DC)	I060APS12DC	40	3.64	0.293	3.52	
	24 (DC)	I060APS24DC	230	3.48	0.146	3.50	

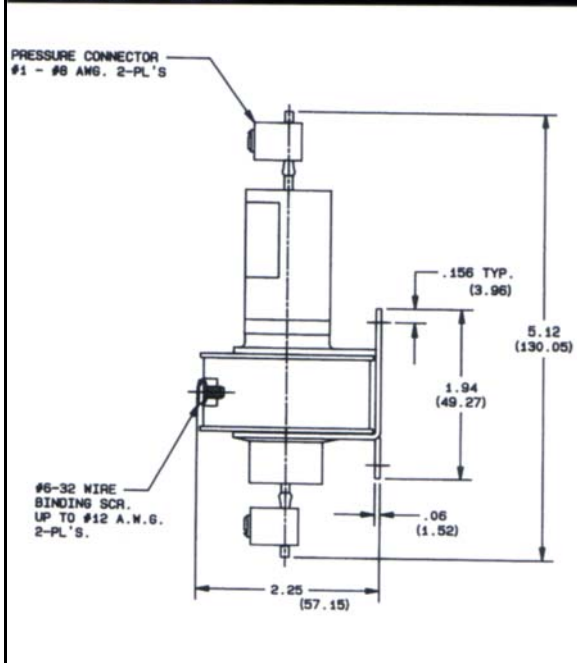
ELECTRICAL RATINGS	60 Hz					DC		
	Volts	120	208	240	277	480	48	120
Resistive		60	60	60	60	60	60	30
General Purpose		60	60	60	60	60	—	—
Tungsten (1 Pole)		60	60	60	60	35	60	30
Motor Load								
1 Phase (Hp)		3.0	3.0	5.0	5.0	7.5	—	—
3 Phase (Hp)		5.0	5.0	10.0	10.0	15.0	—	—

DURAKOOL Series 60APS 60 Amps

FRONT VIEW



SIDE VIEW



DIMENSION "A"

Hz	1 Pole	
	in.	mm
DC	2.32	58.9
50	2.41	61.2
50/60	2.41	61.2
60	2.41	61.2