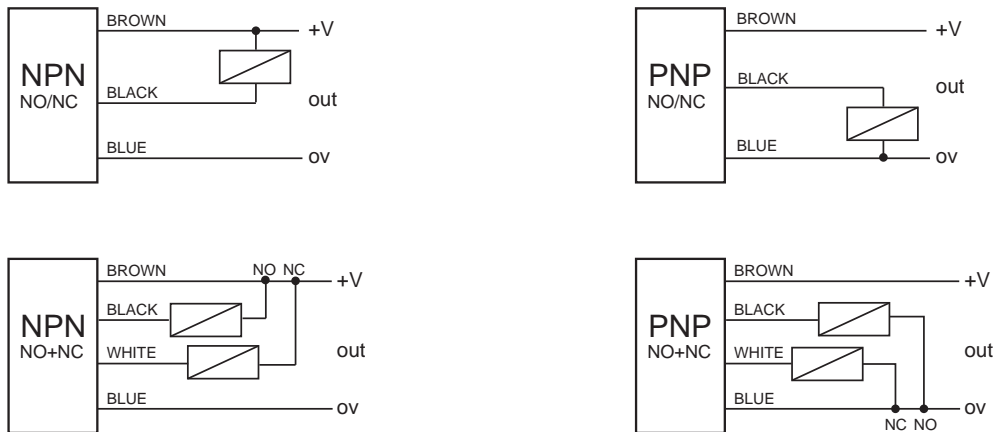


TECHNICAL SPECIFICATIONS

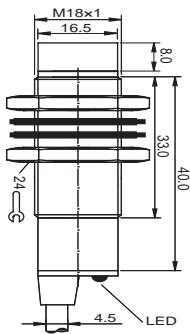
Property project	Specific parameter
Mounting distance	shielded: 5mm / unshielded: 8mm
Sensing distance	shielded: 0-4mm / unshielded: 0-6.4mm
Power supply	DC 10-30V
Frequency	≤ 600Hz
Current output	100mA
Ambient temperature	-20°C-70°C
Protection	Over-current / against polarity
IP rating	IP67

ELECTRICAL CONNECTION DRAWING

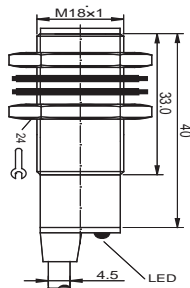


PICTURE OF PRODUCT MIX

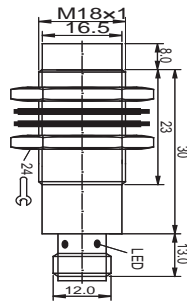
A: Wires & Unshielded



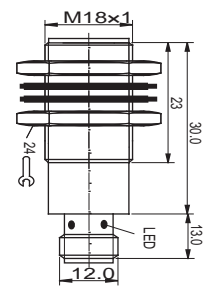
B: Wires & Shielded



C: Connector & Unshielded



D: Connector & Shielded



M18 Short Body
All dimensions in millimeters (mm) nominal.

IPS INDUCTIVE PROXIMITY APPLICATION DIRECTIONS

- Set mounting distance equal to 80% of Sn.
- Set mounting distance roughly equal to 50% of Sn when sensor is used measuring mounting frequency or operating in high speed circumstances.
- Mounting distance will change depending on material (iron, stainless steel, brass, copper and aluminum).

REV. NO.	REVISION NOTE.	DATE	SIGNATURE
-	Original	Dec 2007	LG

TAKE A LOOK AT OUR VARIETY OF PRODUCTS



FORM AE043 ISS.2



ISO 9001:2000
Reg. No FM 21080

As part of the company policy of continued product improvement, specifications may change without notice. Our sales office will be pleased to help you with the latest information on this product range and the details of our full design and manufacturing service. All products are supplied to our standard conditions of sale unless otherwise agreed in writing

© 2007 Copyright Comus International, Inc. Website: www.comus-intl.com
 Publisher: Lilia I.Garay, Graphic Designer Comus International, 454 Allwood Rd. Clifton, NJ 07012 USA.
 USA: +(1) 973 777 6900 - UK: +44 (0) 1255 862236 - Belgium: + 32 (0)12 390400 - France: + 33 (0) 1 43 96 86 10