

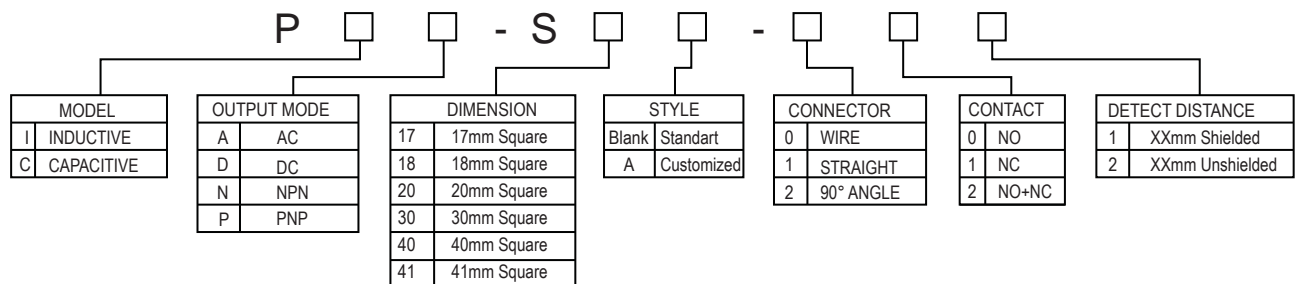
S17 Square Plastic Housing - Inductive Sensor



Features:

- Inductive sensor, style: Squared shape, Dim: 17x17x28mm
- DC 2 wire (10-30V DC), DC 3-wire (10-30V DC), DC 4 wire (10-30V DC), AC 2-wire (90-250 AC) type
- Mounting distance: 5mm shielded
- With LED operation indicate lamp, easily identifiable
- Standard sensing object: iferrous metals;
- Protection rate: IP67, water resistant
- Over-current and short circuit protection; Against polarity reversal.
- Widely applied in measuring, Counting, Rpm measuring in mechanism, chemical, paper manufacture, light industry, etc.

ORDERING CODE INFORMATION



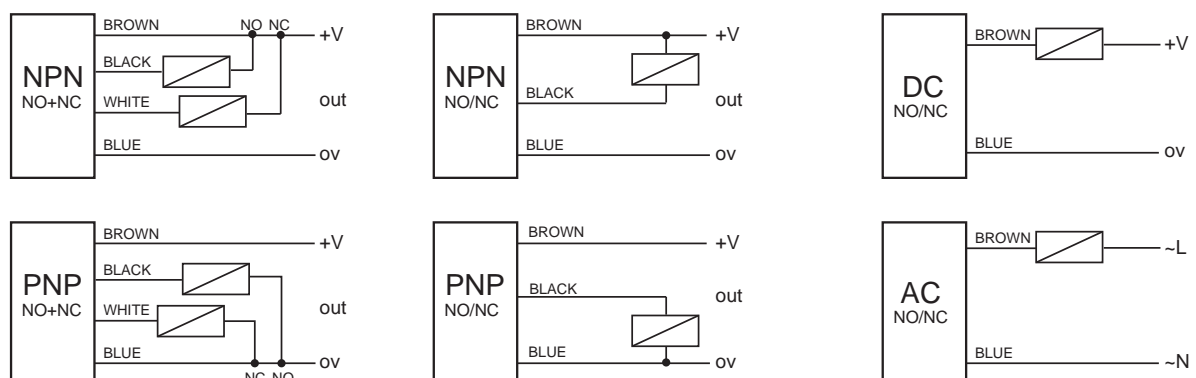
ORDERING CODES

Model and Type	Output type	Mounting distance	Current output	Power supply	Connector model
PIN-S17-001	NPN NO	5mm, shielded	≤ 200mA	DC 10-30V	3 Wire
PIN-S17-011	NPN NC	5mm, shielded	≤ 200mA	DC 10-30V	3 Wire
PIN-S17-021	NPN NO+NC	5mm, shielded	≤ 200mA	DC 10-30V	4 Wire
PIP-S17-001	PNP NO	5mm, shielded	≤ 200mA	DC 10-30V	3 Wire
PIP-S17-011	PNP NC	5mm, shielded	≤ 200mA	DC 10-30V	3 Wire
PIP-S17-021	PNP NO+NC	5mm, shielded	≤ 200mA	DC 10-30V	4 Wire
PID-S17-001	DC NO	5mm, shielded	≤ 200mA	DC 10-30V	2 Wire
PID-S17-011	DC NC	5mm, shielded	≤ 200mA	DC 10-30V	2 Wire
PIA-S17-001	AC NO	5mm, shielded	≤ 300mA	AC 90-250V	2 Wire
PIA-S17-011	AC NC	5mm, shielded	≤ 300mA	AC 90-250V	2 Wire

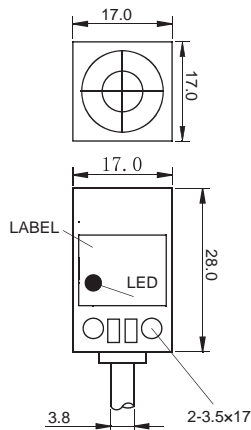
TECHNICAL SPECIFICATIONS

Property project	Specific parameter
Mounting distance	shielded: 5mm
Sensing distance	0-4.5mm
Power supply	DC 10-30V / AC 90-250V
Frequency	DC: ≤ 200-400Hz / AC: ≤ 20Hz
Current output	DC: ≤ 200mA / AC: ≤ 300mA
Ambient temperature	-20°C-70°C
Protection	Over-current, short circuit, polarity reversal protection
IP rating	IP67

ELECTRICAL CONNECTION DRAWING



PICTURE OF PRODUCT MIX



S17 Square Plastic Housing.
All dimensions in millimeters (mm) nominal.

IPS INDUCTIVE PROXIMITY APPLICATION DIRECTIONS

- a. Set mounting distance equal to 80% of Sn.
- b. Set mounting distance roughly equal to 50% of Sn when sensor is used measuring mounting frequency or operating in high speed circumstances.
- c. Mounting distance will change depending on material (iron, stainless steel, brass, copper and aluminum).

REV. NO.	REVISION NOTE.	DATE	SIGNATURE
-	Original	Jan 2008	LG

TAKE A LOOK AT OUR VARIETY OF PRODUCTS



As part of the company policy of continued product improvement, specifications may change without notice. Our sales office will be pleased to help you with the latest information on this product range and the details of our full design and manufacturing service. All products are supplied to our standard conditions of sale unless otherwise agreed in writing

© 2007 Copyright Comus International, Inc. Website: www.comus-intl.com
 Publisher: Lilia I.Garay, Graphic Designer Comus International, 454 Allwood Rd. Clifton, NJ 07012 USA.
 USA: +(1) 973 777 6900 - UK: +44 (0) 1255 862236 - Belgium: + 32 (0)12 390400 - France: + 33 (0) 1 43 96 86 10