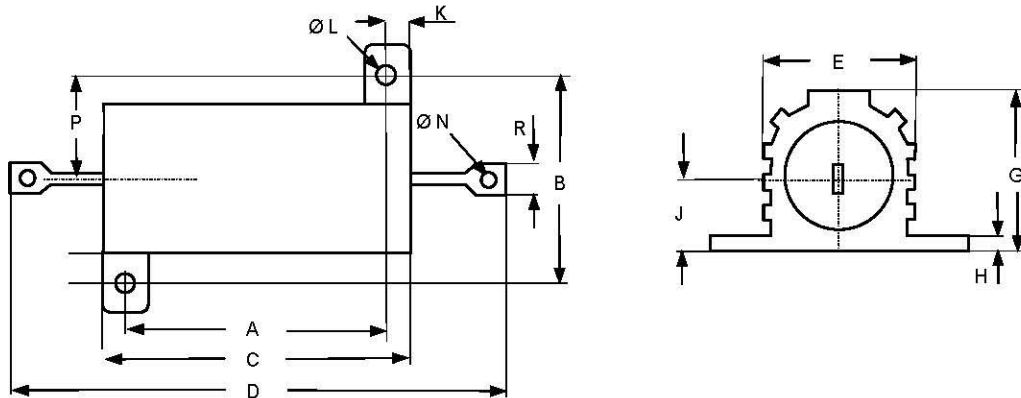


Power Resistors Aluminium Housed Type: REA

Features:

- Heat sink effect by chassis-mounting
- Complete welded construction
- Derating from 25°C to 250°C

General drawing: (Detailed drawing on request)



Dimensions (mm):

Type	A	B	C	D	E	F	G	H	J	K	L	M	N	P
	±0.1	±0.1	±0.5	±1.5	±0.4	±0.1	±0.4	±0.2	±0.2	±0.2	±0.1	±0.02	±0.1	±0.1
REA 605	11.2	12.5	15.2	28.6	8.5	16.4	8.1	1.7	3.8	2	2.4	1.5	1.3	6.7
REA 610	14.2	15.9	19	34.9	10.7	20.3	9.9	1.9	4.2	2.4	2.4	2	2.2	7.95
REA 615	18.2	19.8	27	49.2	14	27.4	13.9	1.9	5.9	4.4	3.2	2	2.2	11.1
REA 630	40	21.4	50	70.6	16	29	15.5	2.2	6.6	5	3.2	2	2.2	10.3

Dimensions of REA 640 / REA 650 on special drawings

Technical data – depending on size:

Type	Power P ₂₅	Resistance Range			Resistance Range (N)		
		±0.25%	±0.5%	±1/5/10%	±0.25%	±0.5%	±1/5/10%
REA 605 (N)	7.5W	R50-1K2	R10-1K2	R10-3K32	1R0-200R	1R0-860R	1R0-1K65
REA 610 (N)	12.5W	R50-2K7	R10-2K7	R10-5K62	1R0-1K2	1R0-1K2	1R0-2K8
REA 615 (N)	25W	R10-3K9	R10-3K9	10R-12K1	1R0-2K7	1R0-2K7	1R0-6K04
REA 630 (N)	50W	R10-5K6	R10-5K6	10R-39K2	1R0-3K9	1R0-3K9	1R0-19K6
REA 640 (N)	100W	R10-8K2	R5-12K	R5-29K4	1R0-5K6	1R0-5K6	1R0-14K7
REA 650 (N)	250W	R10-27K	R10-27K	R10-35K7	1R0-8K2	1R0-8K2	1R0-17K4

Technical data - general:

Temperature range	-55°C ... +250°C
TCR	<1R: 50/100ppm/K ≥1R: 20/50/100ppm/K
Isolation resistance	10,000M minimum
Short time overload (5xrated power, 5seconds)	ΔR < (0.5%+0.05R)
High temperature (250°C, 2h)	ΔR < (0.5%+0.05R)
Load life (rated power, 25°C 1000h, 1.5h on, 0.5h off)	ΔR < (1.0%+0.05R)