

NS-5/15E Inclinometer

Single Axis Inclinometer
Measurement Range
 $\pm 5^\circ$ or $\pm 15^\circ$
Analogue Voltage Output



The **E-Series** consist of a single axis tilt sensor integrated with a thick film hybrid circuit for signal processing. Multiple connecting leads are available to support a variety of applications. For example, precision and sensitivity can be improved and zero can be varied by using simple passive components. The sensor element and the hybrid electronics are integrated into a sealed, ceramic package whose bearing surface has been ground flat for easy installation.

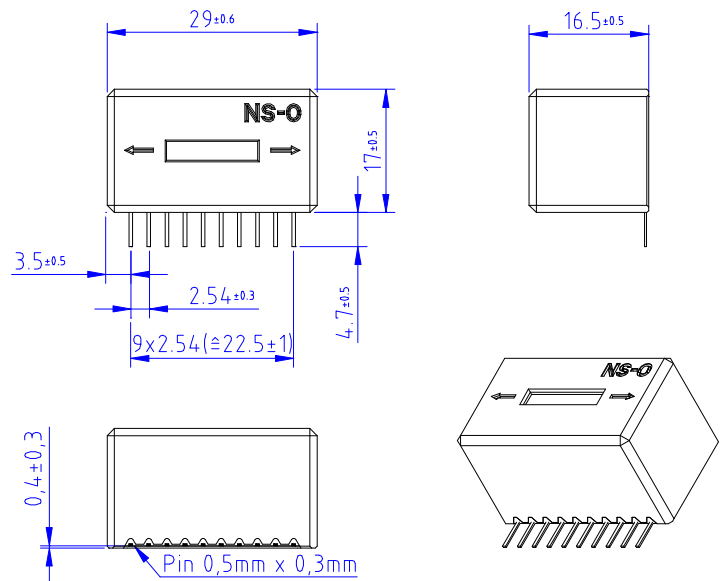
FEATURES

- High Accuracy
- Low Weight
- High Resolution
- Easy to Integrated
- Solder Contact
- Small Dimensions

APPLICATIONS

- Platform Leveling
- Road Construction Machines
- Building Control
- Weighing Systems
- Mobile and Stationary Cranes

dimensions [mm]



NS-5/15E Inclinometer

performance specifications

PARAMETERS

	Conditions	Min	Type	Max	Unit
Measurement range (1)		-5 (-15)		+5(+15)	°
Repeatability			0.02		°
Linear error	+/-5°		0.5		%
Linear error	+/-10°		1.5		%
Symmetry error			0.5		°
Zero point offset (2)			0.5		°
Response time	t90		1		s
TC zero point			0.5		m°/K
TC sensitivity			6.5		m°/K
Output signal	NS-5/E	-3		+3	V
Output signal	NS-15/E	-1.5		+1.5	V
Current consumption			5		mA
Power supply		6.5		24	VDC
Operating temperature range		-25		+85	°C
Storage temperature range		-40		+85	°C
Weight			20		g
Dimensions	W x D x H		29 x 17 x 16		mm

- (1) measurement ranges +/-5° and +/-15° are available
 (2) external adjustment with potentiometer possible

The information in this sheet has been carefully reviewed and is believed to be accurate; however, no responsibility is assumed for inaccuracies. Furthermore, this information does not convey to the purchaser of such devices any license under the patent rights to the manufacturer. Measurement Specialties, Inc. reserves the right to make changes without further notice to any product herein. Measurement Specialties, Inc. makes no warranty, representation or guarantee regarding the suitability of its product for any particular purpose, nor does Measurement Specialties, Inc. assume any liability arising out of the application or use of any product or circuit and specifically disclaims any and all liability, including without limitation consequential or incidental damages. Typical parameters can and do vary in different applications. All operating parameters must be validated for each customer application by customer's technical experts. Measurement Specialties, Inc. does not convey any license under its patent rights nor the rights of others.

ordering info

PART NUMBERING	UNIT	SHORT DISCRPTION
G-NSE-001	NS-5/E	Range +/-5°,Vcc 6.5...24VDC,voltage output signal +/-3V
G-NSE-013	NS-15/E	Range +/-15°,Vcc 6.5...24VDC,voltage output signal +/-1.5V