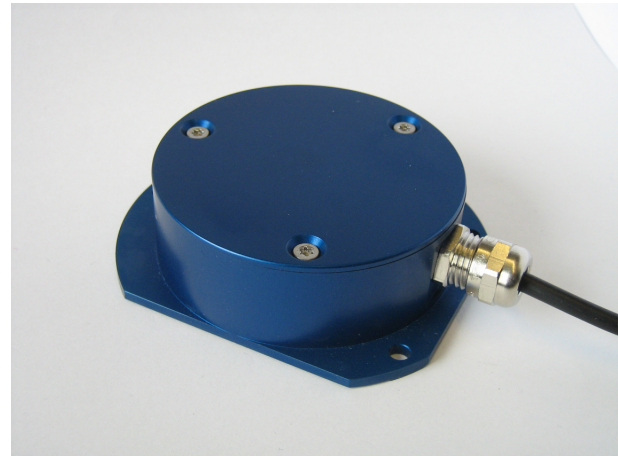


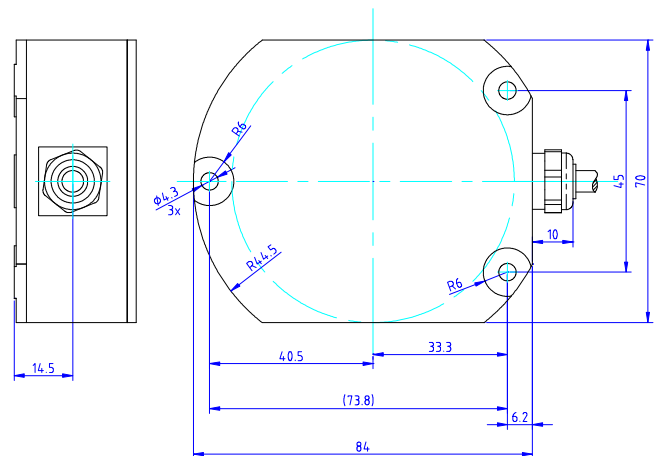
# NS-15/DPG2-RXG Inclinometer

Dual Axis Inclinometer  
Measurement Range  $\pm 15^\circ$   
Digital Output RS 232



The **DPG Series** dual axis conductive inclinometer in aluminum housing offers the user modern microprocessor technology, with an integrated active linearization and temperature compensation. This inclinometer is full calibrated, easy to mount and absolute plug and play compatible.

## dimensions [mm]

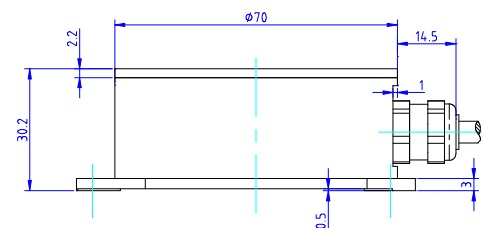


## FEATURES

- Robust IP67/68 Housing
- High Accuracy
- High Resolution
- Temperature Compensated
- High Output Data Transfer
- Cable Integrated
- Programmable Digital Filtering to Minimize Influences from Shock and Vibration

## APPLICATIONS

- Mobile and Stationary Cranes
- Lift Platforms
- Building Control
- Weighing Systems
- Truck Chassis Levelling
- Vehicle Applications
- Road Construction Machines



# NS-15/DPG2-RXG Inclinometer

## performance specifications

### PARAMETERS

	Conditions	Min	Type	Max	Unit
Measurement range		-15		+15	°
Resolution		0.001			°
Accuracy 1 (absolute)	Ta = 0°...50°C, $\phi <  10^\circ $		0.1		°
Accuracy 2 (absolute)	Ta = -40°C ...+85°C		0.3		°
Initial Offset	Ta = 25°C		±0.15		°
Offset temperature drift error	Ta = -25°C...+75°C		0.05		°
	Ta = -40°C...+85°C		0.1		°
Output data transfer time (1)			100		ms
Baud rate (1)			9.6		kb
Noise RMS			0.003		°
Current consumption			20		mA
Power supply		7		30	VDC
Operation temperature range		-40		+85	°C
Storage temperature range		-55		+85	°C
Weight			155		g
Cable, pigtail			500		mm
Dimensions	W x D x H		84 x 70 x 31		mm

(1) programmable

The information in this sheet has been carefully reviewed and is believed to be accurate; however, no responsibility is assumed for inaccuracies. Furthermore, this information does not convey to the purchaser of such devices any license under the patent rights to the manufacturer. Measurement Specialties, Inc. reserves the right to make changes without further notice to any product herein. Measurement Specialties, Inc. makes no warranty, representation or guarantee regarding the suitability of its product for any particular purpose, nor does Measurement Specialties, Inc. assume any liability arising out of the application or use of any product or circuit and specifically disclaims any and all liability, including without limitation consequential or incidental damages. Typical parameters can and do vary in different applications. All operating parameters must be validated for each customer application by customer's technical experts. Measurement Specialties, Inc. does not convey any license under its patent rights nor the rights of others.

### ordering info

PART NUMBERING	UNIT	SHORT DESCRIPTION
G-NSDPG-002	NS-15/DPG2-RXG	Range +/- 15°, Vcc +7... 30VDC, output RS232