



# FLASHER/REPEAT-CYCLE TIMER-FIXED SOLID STATE OUTPUT

2600

## FEATURES:

- All Solid-State
- Digital Timing
- Reverse Polarity Protection
- Transient/Surge Protection

## ELECTRICAL SPECIFICATIONS:

**Timing:** "On" Time (.05 to 600s)  
"Off" Time (.05 to 600s)

**Duty Cycle:**  $D.C. = \frac{T_{on}}{T_{on} + T_{off}}$

**Frequency:**  $f = \frac{1}{T_{on} + T_{off}}$   
(Flash Rate)

**Tolerance:** ±10%

**Repeatability:** ±0.1%

### Input Data:

**Input voltage:** 18 to 31 V dc

**Current drain:** 30 mA @ 28 V dc

### Output Data:

**Output:** 28 V dc

$V_{in} (dc) - 1.5 V dc @ 100mA$

**Load:** 300 mA max.

## ENVIRONMENTAL SPECIFICATIONS:

**Operating temperature:** -55°C to +125°C.

**Vibration:** 20 G's, 10 to 2000 Hz.

**Shock:** 50 G's, 11 ±1 milliseconds duration.

**Insulation Resistance:** 1000 Megohms at 500 VDC.

**Dielectric Strength:** 1000 V RMS, 60Hz at Sea Level. All terminals tied together to case.

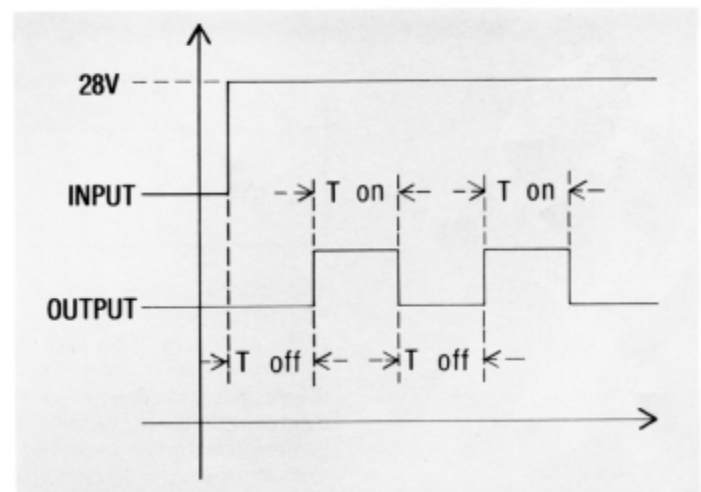
**Sealing:** Hermetic 1.3 inches mercury.

**Life:** Over 1,000,000 operations.

**Weight:** 8 oz. max.



TIMING DIAGRAM



## OPTIONS AVAILABLE:

- Higher output rating
- Output sink to ground
- Control line
- AC operation
- Adj. "on" & "off" time
- Relay output to 10 A
- Alternate packaging
- Initial cycle "on"
- Extended timing ranges

