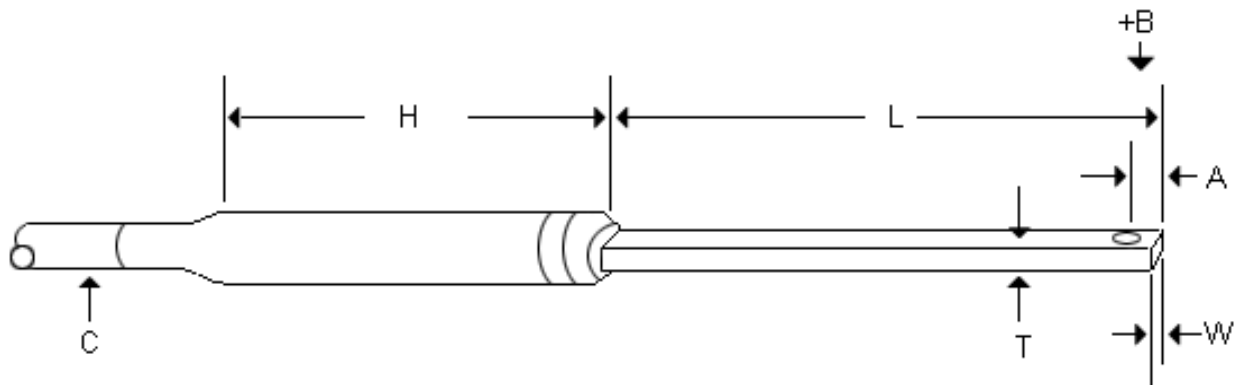


HALL PROBES FOR FH 54, FH 55



HALL PROBES TRANSVERSE FOR FH 54, FH 55

● HALL PROBES TRANSVERSE FOR FH 54, FH 55

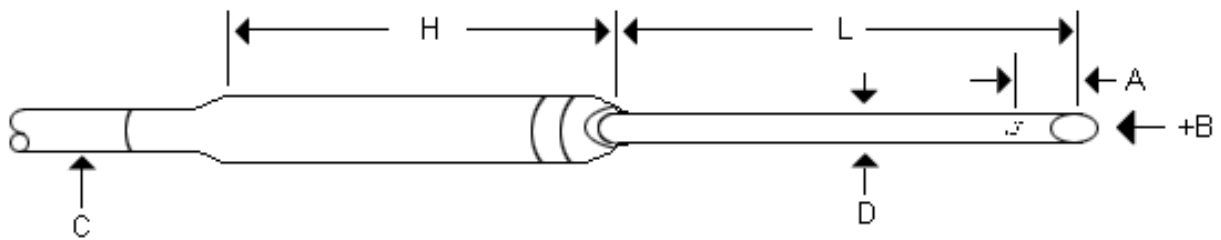
Model	HS-TGB5-104005	HS-TGB5-104010	HS-TGB5-104020	HS-TND5-0513026
W [mm]	4.0 max.	4.0 max.	4.0 max.	1.3 nom.
T [mm] (max.)	1,0	1,0	1,0	0,51
L [mm] (nom.)	55	100	200	26
A [mm]	2 ± 0.1	2 ± 0.1	2 ± 0.1	1 ± 0.1
H [mm] (nom.)	70	70	70	37
Cable C [m]	1.5	1.5	1.5	1
Stem Material	Fiberglas epoxy			Kapton
Active Area, nominal Diameter [mm]	0.4	0.4	0.4	0.64
Ranges, full Scale	3 mT to 3 T			
Corrected Accuracy [% of Reading, DC]	0.25 % to 3 T	0.25 % to 3 T	0.25 % to 3 T	0.5 % to 1,5 T
Temperature coefficient of Sensitivity (maximum) [% / °C]	± 0.02 (T)	± 0.02 (T)	± 0.02 (T)	-0.1

(T): Probe with sensor for temperature correction.

Operating Temperature range 0 °C to 75 °C.

Due to continuous process improvement, specifications are subject to change without notice.

● HALL PROBES AXIAL FOR FH 54, FH 55



HALL PROBES AXIAL FOR FH 54, FH 55

Model	HS-AGB5-4805	HS-AGB5-4820
D [mm] (nom.)	4.8	4.8
L [mm] (nom.)	55	200
A [mm] (nom.)	0.27	0.27
H [mm] (nom.)	70	70
Cable C [m]	1.5	1.5
Stem Material	Fiberglas epoxy	
Active Area, nominal Diameter [mm]	0.4	0.4
Ranges, full Scale	3 mT to 3 T	
Corrected Accuracy [% of Reading, DC]	0.25 % to 3 T	0.25 % to 3 T
Temperature coefficient of Sensitivity (maximum) [% / °C]	± 0.02 (T)	± 0.02 (T)

T): Probe with sensor for temperature correction.

Operating Temperature range 0 °C to 75 °C.

Due to continuous process improvement, specifications are subject to change without notice.