

Encoder WDG 58H



- Rugged industrial standard encoder
 - Continuous hollow shaft
 - High protection class IP 65, with oil seal
 - Maximum mechanical and electrical safety
 - High noise immunity
 - With control output
 - Optional: -40°C ... +80°C
- www.wachendorff.de/wdg58h-engl

Application field

Motors for all industrial applications.

Available PPR up to 5000

Mechanical Data

Housing	
- Flange:	Aluminium
- Housing:	Aluminium, powder coated
- Torque Support:	
1. Spring plate	Incl. 1 spring plate WDGDS10001
Compensation:	axial: max. 1,5 mm
	radial: max. 0,1 mm
Operating speed:	6.000 rpm
	up to max. protection rating +60° C
2. Cylinder pin	(Accessories)
Compensation:	axial: max. 1 mm
	radial: max. 0,3 mm
Operating speed:	3.000 rpm

Hollow Shaft

- Material:	stainless steel
- Diameter:	8, 10, 12 o. 14 mm, H7
- Load on shaft end:	max. 80 N radial
	max. 60 N axial
- Starting torque:	approx. 2,2 Ncm at ambient temperature
Attachment:	permanently attached clamping ring

Bearings

- Type:	2 precision ball bearings
- Service life:	10 ⁹ revs. at 100% of full rated shaft load
	10 ¹⁰ revs. at 40%
	10 ¹¹ revs. at 20%

Weight:	approx. 220 g
Connections:	shielded cable or connector, radial

Protection rating: IP65
(EN 60529)

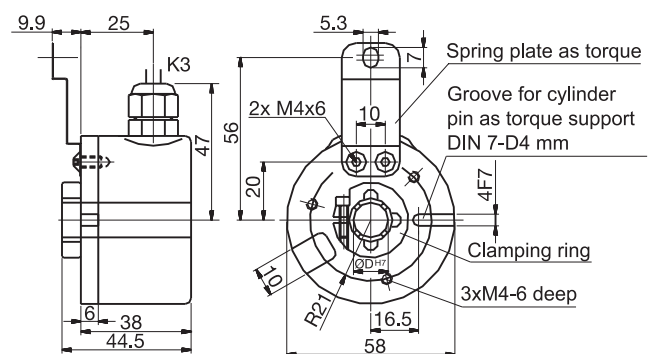
Operating temperature: -20... +80°C, 1Vss: -10... +70°C
Storage temperature: -30... +80°C

Electrical Data

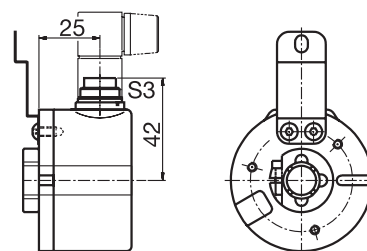
Power supply	Output circuit	Key	Output circuit*	Key
10-30 VDC	HTL	G24	HTL, inv.	I24
5 VDC	TTL	G05	RS422, TTL comp.	I05
5-30 VDC	HTL	H30	HTL, inv.	R30
10-30 VDC	-	-	RS422, TTL comp.	245
5 VDC	-	-	1 Vss Sin./Cos.	SIN

*Only for cable or connector: K3, L3, S5, SC8, SC12

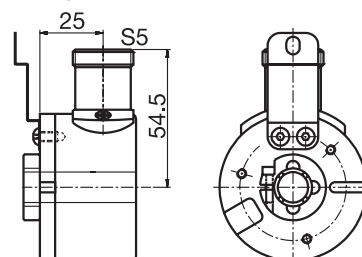
Cable connection K3

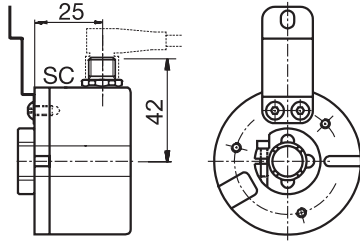


Connector S3, 7-pin



Connector S5, 12-pin



Sensor-connector (M12x1) SC, 4-, 5-, 8-, 12-pin

Options:
Low-temperature:

Der Encoder WDG 58H with the output switches G24, I24, G05, I05 and 245 is also available with the extended temperature range -40°C...+80°C (measured at the flange). When ordering please add the suffix code - ACA.

Cable length:

The encoder WDG 58H can be supplied with more than 2 m cable. Please extend the standard order code with a three figure number, specifying the cable length in decimetres.

All dimensional specifications in mm.

Further technical information on www.wachendorff.de/gtd
 Matching accessories on www.wachendorff.de/acs

Ordering information:

Output circuit: G24 = 10-30 VDC, HTL G05 = 5 VDC, TTL H30 = 5-30 VDC, HTL	Output circuit inv.: I24 = 10-30 VDC, HTL I05 = 5 VDC, RS422 TTL comp. R30 = 5-30 VDC, HTL 245 = 10-30 VDC, RS422 TTL comp. SIN = 5 V, 1 Vss Sinus (only to 1024 and 2048 PPR)	Electrical connections: Cable: K3 = radial, 2 m, shield not connected (standard) L3 = radial, 2 m, shield connected to encoder housing Connector: S3 = 7-pin radial S5 = 12-pin radial SC4 = 4-pin radial SC5 = 5-pin radial SC8 = 8-pin radial SC12 = 12-pin radial Please note the connection configuration under "General technical data", Page 122
Channels: AB, ABN		Options: Empty = without option Low-temperature -40°C...+80°C = ACA Cable length = in decimetres
Pulses per revolution: 4, 6, 10, 32, 36, 50, 60, 64, 100, 120, 125, 127, 150, 180, 200, 216, 240, 250, 254, 256, 300, 314, 360, 400, 500, 512, 600, 625, 720, 750, 768, 800, 810, 900, 1000, 1024, 1200, 1250, 1270, 1440, 1500, 1800, 2000, 2048, 2400, 2500, 3000, 3600, 4000, 4096, 5000. Other PPR's on request		
Hollow shaft diameter: 8, 10, 12, 14 Other diameters on request		
Order No.: Example <input type="text" value="WDG 58H"/> <input type="text" value="14"/> <input type="text" value="1000"/> <input type="text" value="ABN"/> <input type="text" value="G24"/> <input type="text" value="K3"/> <input type="text"/>		
Your encoder <input type="text" value="WDG 58H"/> <input type="text"/> <input type="text"/> <input type="text"/> <input type="text"/> <input type="text"/> <input type="text"/>		