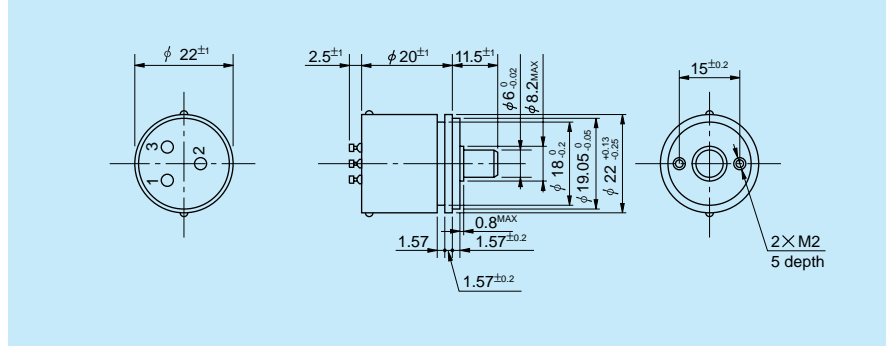




● Standard Dimensions



● General Specifications

Standard Resistance

Values:	1k, 2k, 5k, 10k (Ω)
Special Practical Resistance Values:	500, 20k, 50k, 100k (Ω)
Total Resistance Tolerance:	Standard Class $\pm 15\%$ (L) Precision Class $\pm 10\%$ (K)
Independent Linearity Tolerance:	Standard Class $\pm 1.0\%$ Precision Class $\pm 0.5\%$
Resolution:	Essentially infinite
Output Smoothness:	Below 0.1% against input voltage

Contact Resistance

Variation:	Below 2% C.R.V.
Power Rating:	1.0W
Electrical Travel:	$320^\circ \pm 5^\circ$
Mechanical Travel:	360° (Endless)
Insulation Resistance:	Over 1,000M Ω at 500V.D.C.
Dielectric Strength:	1 minute at 500V.A.C.
Starting Torque:	Below 5mN•m (50gf•cm)
Resistance Temperature Coefficient:	± 400 p.p.m./ $^\circ\text{C}$
Mass:	Approx. 30g

● Special Specifications Available

Extra taps (Available up to 1 tap), Shaft with front and rear extension (Rear shaft with 3mm dia. and 20mm length), With stopper (Rotating angle becomes 320° and stopper strength is 0.9N•m [9kgf•cm]), Special electrical travel, Shaft dia. ($\phi 6.35$ mm), Special machining on the shaft, With ball bearings incorporated.



● Standard Dimensions

