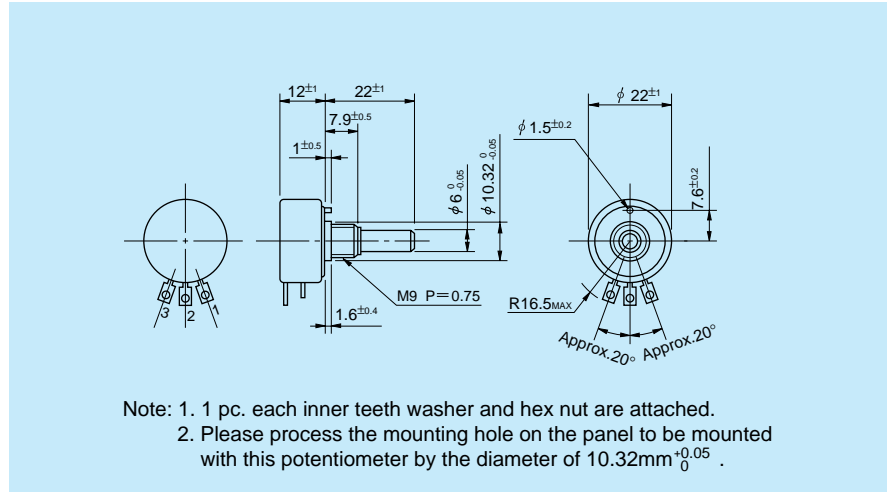
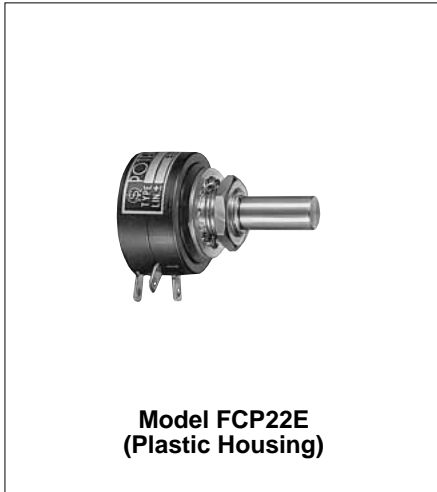


● Standard Dimensions



● General Specifications

Standard Resistance Values:	1k, 2k, 5k, 10k (Ω)	Contact Resistance Variation:	Below 2% C.R.V.
Special Practical Resistance Values:	500, 20k, 50k, 100k (Ω)	Power Rating:	1.0W
Total Resistance Tolerance:	Standard Class ±15% (L) Precision Class ±10% (K)	Electrical Travel:	320° ±5°
Independent Linearity Tolerance:	Standard Class ±1.5% Precision Class ±1.0%	Mechanical Travel:	360° (Endless)
Resolution:	Essentially infinite	Insulation Resistance:	Over 1,000MΩ at 500V.D.C.
Output Smoothness:	Below 0.1% against input voltage	Dielectric Strength:	1 minute at 500V.A.C.
		Starting Torque:	Below 5mN•m (50gf•cm)
		Resistance Temperature Coefficient:	±400p.p.m./°C
		Mass:	Approx. 20g

● Special Specifications Available

Extra taps (Available up to 1 tap), Shaft with front and rear extension (Rear shaft with 6mm dia. and 20mm length), Multi-ganged (Available up to 10 gangs), With stopper (Rotating angle becomes 320° and stopper strength is 0.6N•m [6kgf•cm]), Special electrical travel, Shaft dia. (∅6.35mm)•bushing with inch dimensions, Special machining on the shaft.