

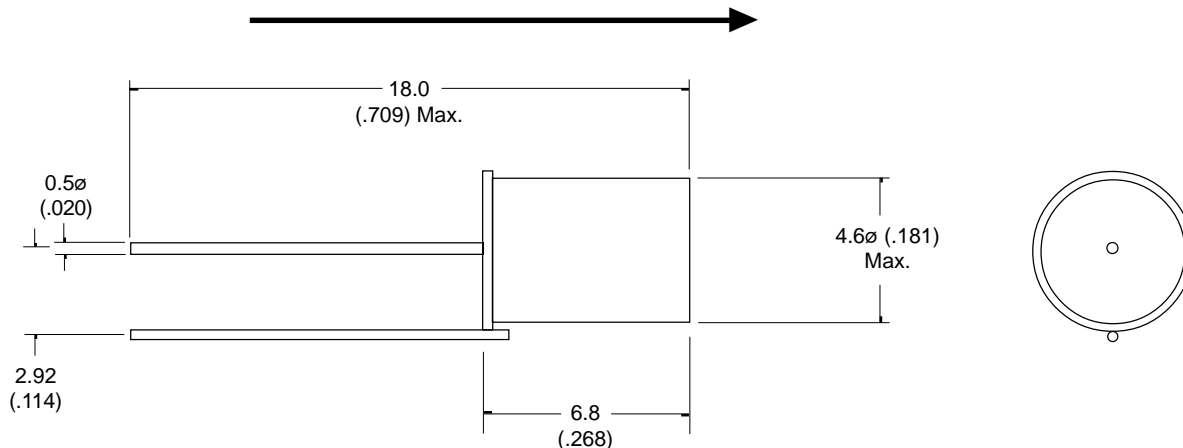
Comus Group of Companies

PRODUCT DATA SHEET

Manufactured in UK



Direction of acceleration to close contacts



Drawings not to scale
All dimensions in mm (inches) nominal

SPECIFICATION

CONTACT FORM/STYLE		Normally open
SWITCHING VOLTAGE	Max. Vac	24
SWITCHING CURRENT	Max. A	0.25
SWITCHING CAPACITY (RESISTIVE)	Max. VA	5
CONTACT RESISTANCE	Max. Ω	10
OPERATING TEMPERATURE	Deg. $^{\circ}\text{C}$	$-20^{\circ} + 85^{\circ}$
STORAGE TEMPERATURE	Deg. $^{\circ}\text{C}$	$-25^{\circ} + 90^{\circ}$
ACTIVATION LEVEL	G	5.0 - 9.9
CASE MATERIAL		Steel - gold plated

NOTE: When cutting or bending switch leads it is important that the glass seal is not damaged. The cutting or bending point should be no closer than 3mm (.118) to the glass to metal seal and the lead should be supported between the cutting or bending point and the glass to metal seal.

ACCELERATION and SHOCK SWITCH

PART NUMBER
ASLS-5

Rev. No.	Revision Note	Date	Signature
E	Web Site 2001	1-2-01	RG

As part of the company policy of continued product improvement, specifications may change without notice. Our sales office will be pleased to help you with the latest information on this product range and details of our full design and manufacturing service. All products are supplied to our standard conditions of sale otherwise agreed in writing.