

Multi-Component Sensors

11026

LOW PROFILE TORQUE/THRUST SENSOR

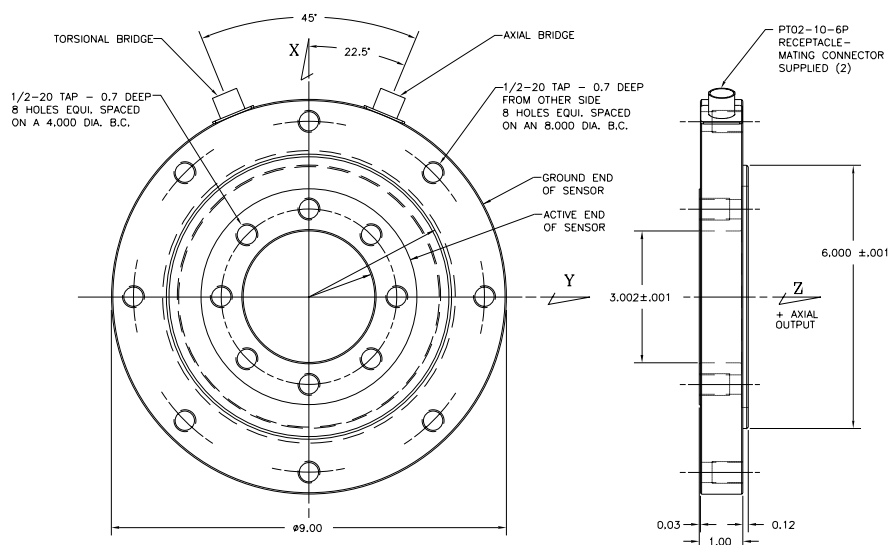
This torque thrust sensor is a two component transducer used to measure both torque (Mz) and thrust (Fz) simultaneously and provide two separate outputs. The low profile (only 1" thick) makes this model ideal for limited space applications. Different ranges and sizes are available (consult our application engineers). The sensor can be cross talk compensated which eliminates off axis loading effects.



SPECIFICATIONS

Capacity.....	500 lbs. (Fz), 25,000 in.-lb. (Mz)
Overload capacity.....	150% F.S. both axes
Output at full scale load.....	2.0 mV/V nominal
Non-linearity.....	0.10% of F.S.
Hysteresis.....	0.10% of F.S.
Zero balance.....	+/-1% of F.S.
Compensated temperature.....	70 to 170°F
Useable temperature.....	-65 to +250°F
Temperature effect on zero.....	0.002% of F.S./°F
Temperature effect on span.....	0.002% of Rdg./°F
Bridge resistance.....	700/350 Ohms
Excitation voltage, maximum.....	20 Vdc
Material.....	Alloy steel

DIMENSIONS (INCHES)



DWG



ORDER TOLL FREE 1-888-SENSOR-1