

Force Sensors

10144

ROD END FORCE SENSOR

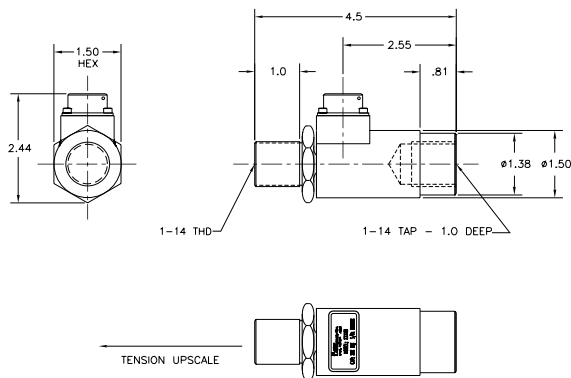
This sensor is capable of measuring forces in both tension and compression. The load cell is machined from 4140 steel, and is supplied with a metal housing, providing mechanical protection for the sensing section. A side mounted industrial connector is supplied for easy cable connection. This cell is designed for direct attachment to hydraulic actuators.

SPECIFICATIONS

Capacities..... 1K - 20K lb. (See chart)
 Overload capacity..... 150% of F.S.
 Output at F.S..... 2.0 mV/V nominal
 Non-linearity..... 0.10% of F.S.
 Hysteresis..... 0.10% of F.S.
 Zero balance..... 1% of F.S.
 Compensated temperature..... 70 to 170°F
 Useable temperature..... -65 to +250°F
 Temperature effect on zero..... 0.002% of F.S./°F
 Temperature effect on span.. 0.002% of Rdg./°F
 Bridge resistance..... 350 Ohms
 Excitation voltage, maximum..... 20 Vdc
 Material Alloy steel

MODEL	CAPACITY
	LB
10144-013	1000
10144-053	5000
10144-014	10000
10144-024	20000

DIMENSIONS



MODEL 10144

DWG



ALSO:

10254

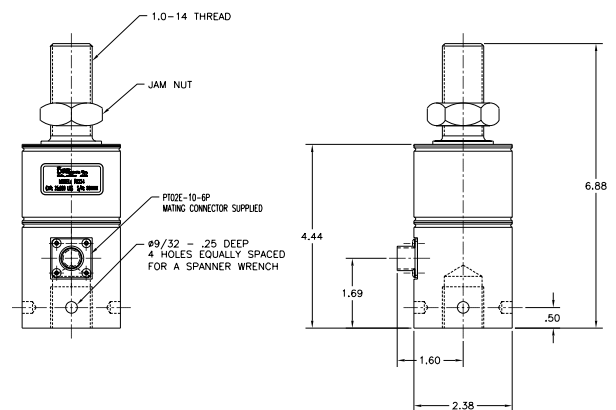
FATIGUE RESISTANT THREADED ROD SENSOR

This sensor incorporates a welded diaphragm system that isolates the sensor from extraneous forces and bending moments. The 10254 may be used in tension or compression and is fatigue resistant.

SPECIFICATIONS

Capacity F.S. 1,000 - 25,000 lb.
 Output F.S., nominal 2.0 mV/V
 Bridge resistance 350 Ohms
 Other specifications are same as model 10144.

DIMENSIONS



MODEL 10254

DWG



ORDER TOLL FREE 1-888-SENSOR-1