

Force Sensors

10027

PLATFORM FORCE SENSOR

Model 10027 is a low capacity, overload protected force sensor. It is offered in multiple low capacity ranges. This platform scale force measuring sensor is insensitive to off-center loading and is overload protected in both tension and compression directions. An optional enclosure is available.



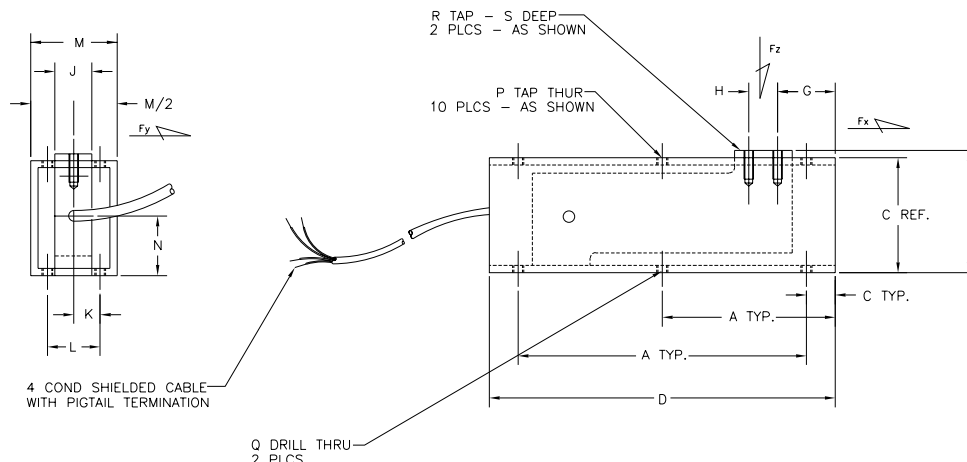
DIMENSIONS

MODEL	CAPACITY	DIMENSIONS											
		A		B		C		D		E		F	
		IN	CM	IN	CM	IN	CM	IN	CM	IN	CM	IN	CM
10027-010	1 LB.	5.0	12.7	3.0	7.62	.50	1.27	6.0	15.24	2.00	5.08	2.125	5.3975
	1KG.												
10027-020	2 LBS.	5.0	12.7	3.0	7.62	.50	1.27	6.0	15.24	2.00	5.08	2.125	5.3975
	5 KGS.												
10027-050	5 LBS.	5.0	12.7	3.0	7.62	.50	1.27	6.0	15.24	2.00	5.08	2.125	5.395
	10KGS.												
10027-011	10 LBS.	5.0	12.7	3.0	7.62	.50	1.27	6.0	15.24	2.00	5.08	2.125	5.3975
	15 KGS.												
10027-250	25 LBS.	5.0	12.7	3.0	7.62	.50	1.27	6.0	15.24	2.00	5.08	2.125	5.3975
10027-051	50 LBS.	5.0	12.7	3.0	7.62	.50	1.27	6.0	15.24	2.00	5.08	2.125	5.3975

SPECIFICATIONS

Capacities..... 1-50 lbs. or 1-15 kg. (See chart)
 Overload capacity..... 150% of F.S.
 Output at F.S..... 2.0 mV/V nominal
 Non-linearity..... 0.10% of F.S.
 Hysteresis..... 0.10% of F.S.
 Zero balance..... +/-1% of F.S.
 Compensated temperature..... 70 to 170°F
 Useable temperature..... -65 to +250°F
 Temperature effect on zero..... 0.002% of F.S./°F
 Temperature effect on span.. 0.002% of Rdg./°F
 Bridge resistance..... 350 Ohms
 Excitation voltage, maximum..... 20 Vdc
 Material Aluminum

MODEL	CAPACITY	DIMENSIONS																					
		G		H		J		K		L		M		N		P		Q		R		S	
		IN	CM	IN	CM	IN	CM	IN	CM	IN	CM	IN	CM	IN	CM	IN	CM	IN	CM	IN	CM	IN	CM
10027-010	1 LB.	1.0	2.54	.50	1.27	.375	.9525	.50	1.27	1.0	2.54	1.50	3.81	1.04	2.6416	10-24	--	#26221	--	8-32	--	.50	--
	1KG.																						
10027-020	2 LBS.	1.0	2.54	.50	1.27	3.75	.9525	.50	1.27	1.0	2.54	1.50	3.81	1.04	2.6416	10-24	--	#26221	--	8-32	--	.50	1.27
	5 KGS.					.500	1.270																
10027-050	5 LBS.	1.0	2.54	.50	1.27	.500	1.270	.50	1.27	1.0	2.54	1.50	3.81	1.04	2.6416	10-24	--	#26221	--	8-32	--	.50	1.27
	10KGS.																						
10027-011	10 LBS.	1.0	2.54	.50	1.27	.500	1.270	.50	1.27	1.0	2.54	1.50	3.81	1.04	2.6416	10-24	--	#26221	--	8-32	--	.50	1.27
	15 KGS.																						
10027-250	25 LBS.	1.0	2.54	.50	1.27	.500	1.270	.50	1.27	1.0	2.54	1.50	3.81	1.04	2.6416	10-24	--	#26221	--	8-32	--	.50	1.27
10027-051	50 LBS.	1.0	2.54	.50	1.27	.500	1.270	.50	1.27	1.0	2.54	1.50	3.81	1.04	2.6416	10-24	--	#26221	--	8-32	--	.50	1.27



ORDER TOLL FREE 1-888-SENSOR-1