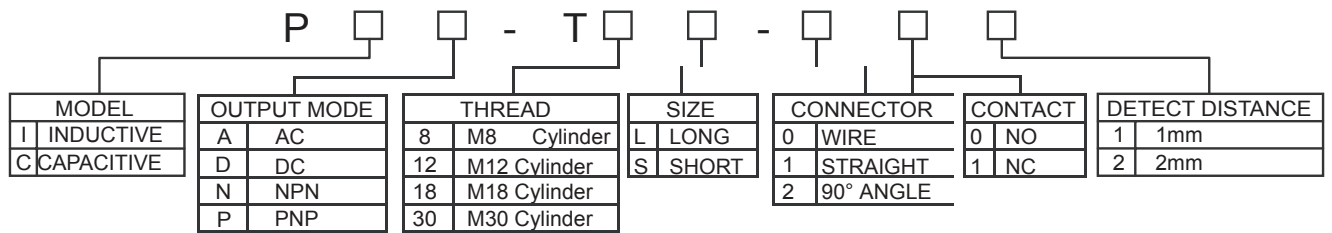


M8 Inductive Proximity Series



Features :

- Inductive sensor, style: cylinder shape, diameter: 8mm.
- DC 3-wire (10-30V DC)
- Connection mode: 3 wire or 3 pin connector
- Mounting distance: shielded (1mm), unshielded (200)
- With LED operation indicate lamp, easily identifiable
- Brass chrome plated, proof of oil, water acid, alkaline
- Standard sensing object: iferrous metals;
- Protection rate: IP67, water resistant
- Over-current protection
- Widely applied in measuring, Counting, Rpm measuring in mechanism, chemical, paper manufacturelight industry, etc.



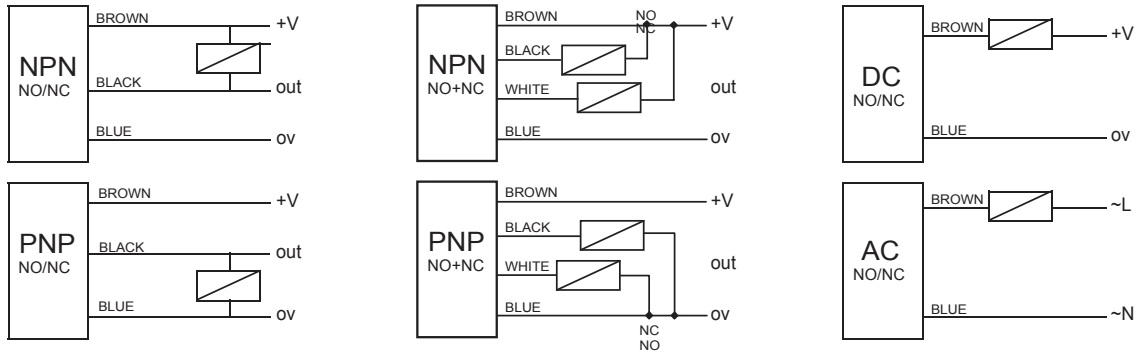
Ordering Codes:

Model and Type	Output type	Mounting distance	Current output	Power supply	Connector model
PIN-T8L-001	NPN NO	1mm,shielded	≤100mA	DC 10-30V	3 Wire
PIN-T8L-011	NPN NC	1mm,shielded	≤100mA	DC 10-30V	3 Wire
PIN-T8L-002	NPN NO	2mm,unshilded	≤100mA	DC 10-30V	3 Wire
PIN-T8L-012	NPN NC	2mm,unshilded	≤100mA	DC 10-30V	3 Wire
PIN-T8L-101	NPN NO	1mm,shielded	≤100mA	DC 10-30V	Plug-in connector
PIN-T8L-111	NPN NC	1mm,shielded	≤100mA	DC 10-30V	Plug-in connector
PIN-T8L-102	NPN NO	2mm,unshilded	≤100mA	DC 10-30V	Plug-in connector
PIN-T8L-112	NPN NC	2mm,unshilded	≤100mA	DC 10-30V	Plug-in connector
PIN-T8L-201	NPN NO	1mm,shielded	≤100mA	DC 10-30V	Plug-in connector
PIN-T8L-211	NPN NC	1mm,shielded	≤100mA	DC 10-30V	Plug-in connector
PIN-T8L-202	NPN NO	2mm,unshilded	≤100mA	DC 10-30V	Plug-in connector
PIN-T8L-212	NPN NC	2mm,unshilded	≤100mA	DC 10-30V	Plug-in connector
PIP-T8L-001	PNP NO	1mm,shielded	≤100mA	DC 10-30V	3 Wire
PIP-T8L-011	PNP NC	1mm,shielded	≤100mA	DC 10-30V	3 Wire
PIP-T8L-002	PNP NO	2mm,unshilded	≤100mA	DC 10-30V	3 Wire
PIP-T8L-012	PNP NC	2mm,unshilded	≤100mA	DC 10-30V	3 Wire
PIP-T8L-101	PNP NO	1mm,shielded	≤100mA	DC 10-30V	Plug-in connector
PIP-T8L-111	PNP NC	1mm,shielded	≤100mA	DC 10-30V	Plug-in connector
PIP-T8L-102	PNP NO	2mm,unshilded	≤100mA	DC 10-30V	Plug-in connector
PIP-T8L-112	PNP NC	2mm,unshilded	≤100mA	DC 10-30V	Plug-in connector
PIP-T8L-201	PNP NO	1mm,shielded	≤100mA	DC 10-30V	Plug-in connector
PIP-T8L-211	PNP NC	1mm,shielded	≤100mA	DC 10-30V	Plug-in connector
PIP-T8L-202	PNP NO	2mm,unshilded	≤100mA	DC 10-30V	Plug-in connector
PIP-T8L-212	PNP NC	2mm,unshilded	≤100mA	DC 10-30V	Plug-in connector
PID-T8L-001	DC 2 Wire NO	1mm,shielded	≤100mA	DC 10-30V	2 Wire
PID-T8L-011	DC 2 Wire NC	1mm,shielded	≤100mA	DC 10-30V	2 Wire
PID-T8L-002	DC 2 Wire NO	2mm,unshilded	≤100mA	DC 10-30V	2 Wire
PID-T8L-012	DC 2 Wire NC	2mm,unshilded	≤100mA	DC 10-30V	2 Wire
PID-T8L-101	DC 2 Wire NO	1mm,shielded	≤100mA	DC 10-30V	Plug-in connector
PID-T8L-111	DC 2 Wire NC	1mm,shielded	≤100mA	DC 10-30V	Plug-in connector
PID-T8L-102	DC 2 Wire NO	2mm,unshilded	≤100mA	DC 10-30V	Plug-in connector
PID-T8L-112	DC 2 Wire NC	2mm,unshilded	≤100mA	DC 10-30V	Plug-in connector
PID-T8L-201	DC 2 Wire NO	1mm,shielded	≤100mA	DC 10-30V	Plug-in connector
PID-T8L-211	DC 2 Wire NC	1mm,shielded	≤100mA	DC 10-30V	Plug-in connector
PID-T8L-202	DC 2 Wire NO	2mm,unshilded	≤100mA	DC 10-30V	Plug-in connector
PID-T8L-212	DC 2 Wire NC	2mm,unshilded	≤100mA	DC 10-30V	Plug-in connector

Technical Specifications:

Property project	Specific parameter
Mounting distance	shielded (1mm)/unshielded(2mm)
Sensing distance	shielded(0-0.8mm)/unshielded(0-1.8mm)
Power supply	DC 10-30V
Frequency	≤600Hz
Current output	≤100mA
Ambient temperature	-20°C-70°C
Protection	over-current/against polarity
IP rating	IP67

Electrical Connection Drawing



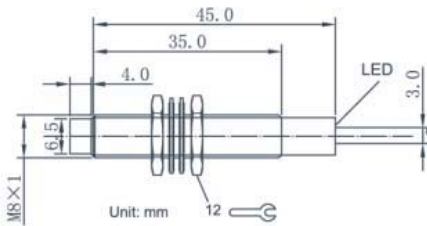
IPS Inductive Proximity Application Directions

a. Set mounting distance equal to 80% of Sn.

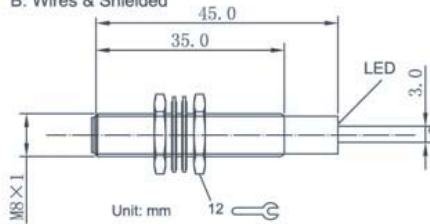
b. Set mounting distance roughly equal to 50% of Sn when sensor is used measuring mounting frequency or operating in high speed circumstances.

c. Mounting distance will change depending on material (iron, stainless steel, brass, copper and aluminum).

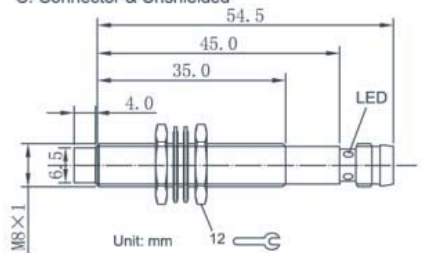
A: Wires & Unshielded



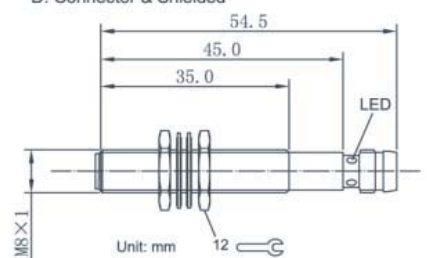
B: Wires & Shielded



C: Connector & Unshielded



D: Connector & Shielded



The picture of product mix.

Rev. No.	Revision Note	Date	Signature
-	Original	20-03-07	LG

Take a look at our variety of products

